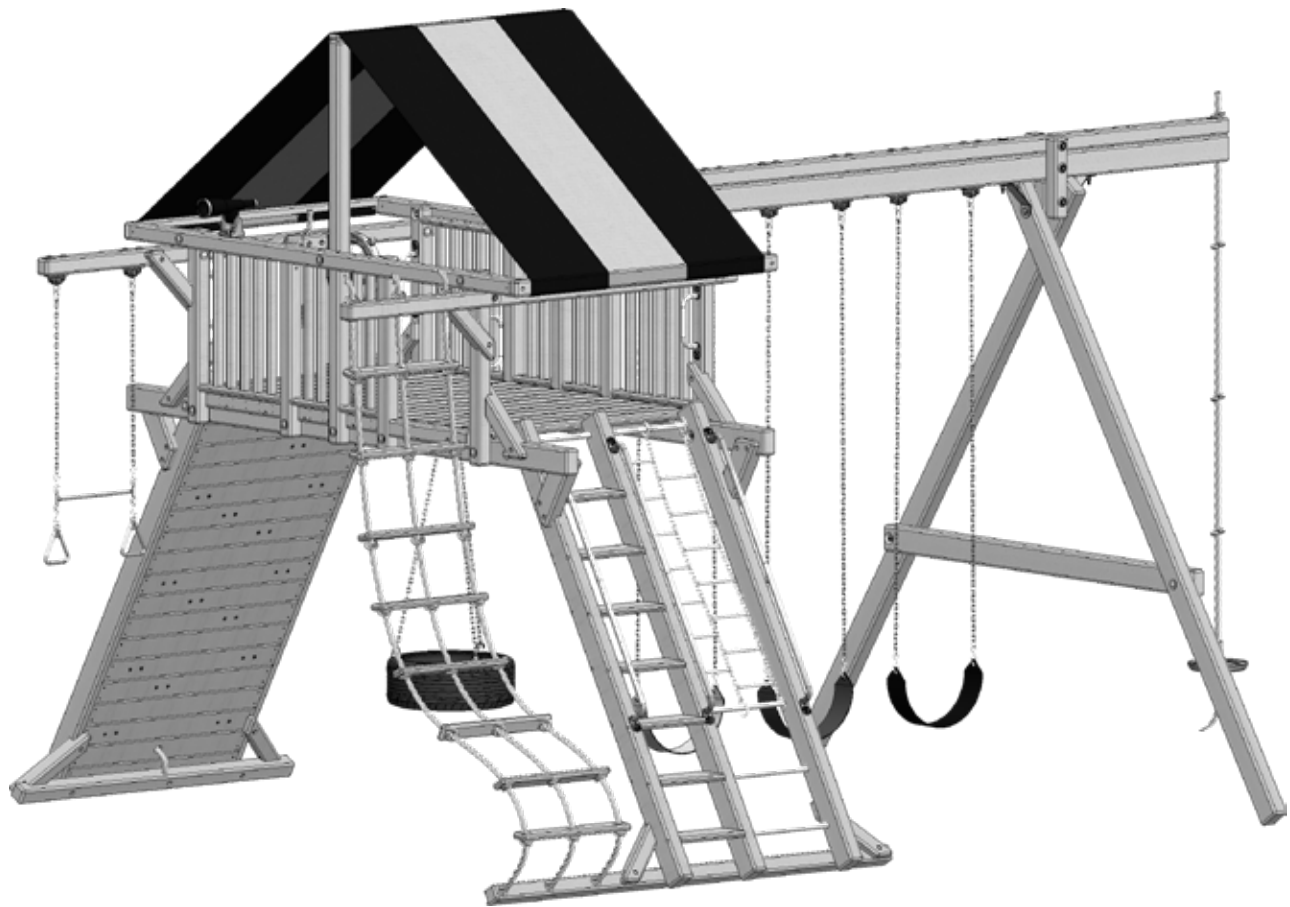




7.5 Mega Jaguar Playcenter Installation Manual

Version 1B:18



Tools Needed for Assembly

Tape Measure	24" Level	Angle Square
Phillips Screw Driver	3/8" Cordless Drill or Electric Drill	3/8" Drive Ratchet or Electric Impact Gun
Claw Hammer or Rubber Mallet	Pliers or Vise Grips	7/16" Deep Well Socket
9/16" Deep Well Socket	3/4" Deep Well Socket	1/8", 1/4", and 9/16" Drill Bits
Phillips Head Screw Bits	An Adult with two Adult Helpers	

Please familiarize yourself with the install manual, parts/components and general construction process of your new swing set before getting started. Approximate assembly time: 6 to 8 hours. 6 foot unobstructed safety perimeter around swingset recommended.

IMPORTANT - PLEASE READ

As fresh lumber acclimates to its new environment, the natural tendencies of the tree can show itself in the form of checks, or “cracks” in the lumber. In almost all cases this is normal and it will not affect the structural integrity of your play set.

Cosmetic defects that do not affect the structural integrity of the product, or natural defects of wood such as warping, checking or any other physical properties of wood that do not present a safety hazard, are not covered by this warranty.

Defects that develop because the product is exposed to extreme climate conditions are not covered by this warranty. Defects that develop as a result of faulty or improper installation of the product are also not covered by this warranty.

Most cracks are not warrantable, however if you believe that the integrity of your play set is compromised by this natural occurrence, please contact the Tree Frogs Swing Set Dealer that you purchased your swing set from.

We appreciate your purchase and know that you will enjoy your play system for many years to come.

Pre-Assembly Hints

- Depending on your experience, assembly of our play sets can take as little as 6 hours up to 24 hours, depending on size, after inventory of parts; therefore, we recommend you set aside a full two days for assembly.
 - Identify all of the parts for your play set. Empty each box and lay out boards so you can see each part. Your instruction book will have detailed drawings that will make it easy for you to recognize individual parts. Keep all hardware and metal parts separate from wooden pieces.
 - After everything is laid out, check carefully to ensure all parts are present. Make sure there are no broken boards.
 - Find an area to sort your hardware. It is best to open the hardware on a solid surface so that you do not lose any pieces in the grass.
This will save time and familiarize you with all the different pieces in the hardware bag.
- **Important note: Wood has some natural defects such as knots, surface cracks, etc... We reject parts that are structurally defective. We use a high quality lumber in our structures; however, you should inspect each part for splinters or rough spots and sand them smooth to prevent injury.****
- After familiarizing yourself with all of the components, read all instructions thoroughly. Reading instructions after you have studied the parts will help you understand more clearly the installation process, and help to eliminate unnecessary mistakes.
 - Pay close attention to the diameter and length of each bolt and screw.
 - Never tighten hardware completely at first. It helps to have some adjustment for bolt alignment while you are attaching parts together. After everything is square, tighten each joint.
 - After the main unit is assembled it is critical that the floor is level and square. If the main frame is not level, the walls and floor will be out of square.
 - After you complete installation, make sure every bolt, screw, and nut is tight, and every board is secure. Wood will expand and contract with the seasons.
 - Place the set on level ground, not less than 6ft from any structure or obstruction such as a fence, garage, house, overhanging branches, laundry lines, or electrical wires.
 - All 1/4" and 3/8" lag bolts must have pre-drilled holes 1-1/2" to 2" deep. Use a 1/8" drill bit for the 1/4" lag bolts and 1/4" drill bit for 3/8" lag bolts. Use pre-drilled holes in facias as a reference for placing lag bolt pilot holes.
 - If a board lifts or rises causing a gap between boards when running in lag bolts or screws, back out the screw or lag bolt and press or apply pressure (but not enough to crack or break board) while re-running in the lag bolt or screw in the same hole.
 - Do not over tighten bolts, lag bolts or screws. You can damage boards, break hardware, and/or strip out the hardware.
 - When using hammer do not beat on the hardware, but gently tap it in. Never beat on the wood as it will leave marks.

Leveling Your Swing Set During Assembly

- Complete the steps which will be the basic frame of the fort {i.e. four corner posts with base (sand box boards) and deck supports}
- Position in the most level area chosen for the play set, keeping in mind the location and size of the swing beam, ladder, slides, etc. that extend off the fort.
- Once the frame is in the final position, check for vertical and horizontal levelness to determine which side(s) will need to be dug into the ground to level the play set.
- With a shovel, score the ground around the outside edges of the sandbox boards on the 'high' side of the fort. This is the area that will be dug in. Make sure to score deep enough; the scored lines will be your digging template.
- Push the frame off and away from the scored area, far enough to dig and remove dirt to reach the appropriate depth.
- Dig a channel along the scored line(s) for the base of the fort (corner post and sandbox boards) to rest into. Dig the channel(s) to the same level depth. The bottom of the channel(s) should be level to each other so your frame doesn't teeter or rock because the channel(s) are uneven.
- Once you have removed enough grass and dirt, slide/push the frame into the channel(s). Place a level on the vertical and horizontal boards of the frame to determine if enough soil, or too much, was removed.
- Repeat this process until the basic frame is plumb and level and in its final position before completing the rest of the assembly.
- Measure to make sure fort is square.

**** Important: if you require a channel depth of more than 6", then we recommend you have your play set area professionally graded before completing assembly. ****

Choosing A Location For Your Playset

When choosing a location for your swing set, always keep your child or children's safety in mind. Here are some recommendations to help you locate and install a safe play area.

- This play set is designed for the use of 4 occupants who have a combined weight not exceeding 800 pounds on the elevated floor; 3 occupants who have a combined weight of 525 pounds on the swing area; for a total Unit capacity of 5 occupants who have a combined weight of 1325. (this weight is not including the picnic table area)
- On-site adult supervision is required.
- The swing set should be located on level ground. The stationary components such as ladders and slides are required to be a minimum of six feet from any structure or obstruction such as a fence, garage, house, tree, overhanging branches, electrical wires, clotheslines, etc. Any swinging equipment is also required to be a minimum distance twice the height of the swing beam away from these obstructions or structures as well. The swing set should be located a safe distance from any water hazards, such as a lake, river, bayou, swimming pool, etc.
- Do not install this residential swing set in a commercial setting. This swing set is not manufactured for commercial usage and will void all warranties. Tree Frogs Wooden Swing Set Factory is not responsible for any damages or injuries resulting from this swing set being used in a commercial setting.
- Never install this swing set indoors; or over concrete, asphalt, packed earth, grass, carpet or any other hard surface. A fall onto a hard surface can result in serious or fatal injury.
- The U.S. Consumer Product Safety Commission (CPSC) recommends that you install and maintain a resilient surface under your swing set. The CPSC's Consumer Information Sheet for Playground Surfacing Materials is on the next page. A resilient surface, should be installed after the swing set has been completely assembled according to these instructions. The swing set must rest on solid ground. Please note that this swing set has a maximum fall height of 7'.

Maintaining Your Swing Set

Here are some maintenance tips required to insure safe play on your swing set for years of fun.

- At the beginning of each usage season and every two weeks during, check: nuts and bolts and tighten as needed, swing seats, chains, ladders, slides, rope and wood components for sign of deterioration and replace if necessary.
- On a yearly basis, we recommend that you coat your swing set with a sealant or preservative. You may also want to spot sand any areas prior to sealing.

**** Special note: Although we recommend that you reseal your swing set annually, you may have to touch up the high traffic areas and/or areas that have a high exposure to direct sunlight.****

- Be sure that the sealant you select is non-toxic and child safe. Your local Tree Frogs Wooden Swing Set Factory dealer may offer a complete power wash and reseal and maintenance program.
- Do not use line trimmers or "weed eaters" around your swing set. The line will remove both paint and wood from uprights and base pieces. Any damage resulting from this type of abuse is not covered under our limited warranty.
- Remove plastic swing seats and take in doors or do not use when temperature drops below 0°F.

Please keep this install manual for future reference.

To insure SAFE PLAY adults must teach children:

- Not to walk close to, in front of, behind, or between moving items.
- Not to swing empty swing seats.
- Not to swing sideways into the path of adjacent swings.
- Not to use the swing set in a manner other than that for which it is intended.
- Not to get off the equipment while it is in motion.
- Not to jump off the tower.
- Not to stand in the swing seats.
- Not to swing so high that chains become slack, or above the height of the swing support.
- Not to jump on a slide.
- Not to climb on top of the swing support.
- Not to attach to the swing set any item that is not specifically designed for use with the equipment, such as (but not limited to) jump ropes, clotheslines, pet leashes, cables, and chains. These may become strangulation hazards.
- To hold on to swings and climbers with both hands.
- To slide feet first, never head first.
- To watch for other children while swinging or playing near the swing set.

To also insure SAFE PLAY adults must:

- Limit climbing and swinging heights to each child's ability.
- Verify that suspended climbing ropes are secured at both ends.
- Verify that suspended climbing ropes cannot be looped back on themselves.
- Dress children appropriately for play. Use well-fitted shoes that do not have slippery soles.
- Avoid ponchos, scarves, hoods, loose fitting clothing, neckties, and any clothing with a drawstring. Serious injury could result should any part of the children's clothing become entangled in the swing set.
- Do not allow children to play wearing helmets.
- Remember that children are inventive. When they develop games that are unsafe, be alert and change the rules.

Weight limits for Treefrogs Swingsets

Fort Platform: 800 Lbs.Total Weight.

Swing Belts: 175 Lbs.

Trapeze: 125 Lbs.

Full Bucket Swing: 50 Lbs.

Toddler Bucket Swing: 50 Lbs.

Tire Swing: 125 Lbs. Total Weight

Rope Ladder: 75 Lbs.

Rock Wall: 150 Lbs.

All Slides: 125 Lbs.

Tree Frogs recommends that the weight limits for all components must not be exceeded. Failure to adhere to these and other safety guidelines could result in damage to the swing set. and/or injury to the users.

CONSUMER INFORMATION SHEET FOR PLAYGROUND SURFACING MATERIALS

The U.S. Consumer Product Safety Commission (CPSC) estimates that about 100,000 playground equipment related injuries resulting from falls to the ground surface are treated annually in U.S. hospital emergency rooms. Injuries involving this hazard pattern tend to be among the most serious of all playground injuries, and have the potential to be fatal, particularly when the injury is to the head. The surface under and around playground equipment can be a major factor in determining the injury-causing potential of a fall. It is self-evident that a fall onto a shock-absorbing surface is less likely to cause a serious injury than a fall onto a hard surface. However, it should be recognized that some injuries from falls will occur no matter what playground surfacing material is used.

Playground equipment should never be placed on hard surfaces such as concrete or asphalt. Grass may appear to be acceptable, but can turn to hard packed earth in areas of high traffic. Shredded bark mulch, wood chips, or fine gravel are considered to be acceptable shock absorbing surfaces when installed and maintained at a sufficient depth under and around play equipment.

TABLE 1 -CRITICAL HEIGHTS (in feet) OF TESTED MATERIAL

MATERIAL	UNCOMPRESSED DEPTH			COMPRESSED DEPTH
	6 Inch	9 Inch	12 Inch	9 inch
Wood Chips	7	10	11	10
Double Shredded Bark Mulch	6	10	11	7
Engineered Wood Fibers	6	7	>12	6
Fine Sand	5	5	9	5
Coarse Sand	5	5	6	4
Fine Gravel	6	7	10	6
Medium Gravel	5	5	6	5
Shredded Tires**	10-12	N/A	N/A	N/A

** This is data from tests conducted by independent testing laboratories on a 6 inch depth of uncompressed shredded tire samples produced by four manufacturers. The test reported critical heights, which varied from 10 feet to greater than 12 feet. It is recommended that persons seeking to install shredded tires as a protective surface request test data from the supplier showing the critical height of the material when it was tested in accordance with ASTM F1292.

Table 1 should be read as follows: If, for example, uncompressed wood chips are used at a minimum of 6 inches, the Critical Height is 7 feet. If 9 inches of uncompressed wood chips are used, the Critical Height is 10 feet. It should be noted that, for some materials, the Critical Height decreases when the material is compressed. It is recommended that a shock absorbing material should extend a minimum of 6 feet in all directions from the perimeter of stationary equipment such as climbers and slides. However, because children may deliberately jump from a moving swing, the shock absorbing material should extend in the front and rear of a swing a minimum distance of 2 times the height of the pivot point measured from a point directly beneath the pivot on the supporting structure.

This information is intended to assist in comparing the relative shock-absorbing properties of various materials. No particular material is recommended over another. However, each material is only effective when properly maintained. Materials should be checked periodically and replenished to maintain correct depth as determined necessary for your equipment. The choice of a material depends on the type and height of the playground equipment, the availability in your area, and its cost.

This information has been extracted from the CPSC publications "Playground Surfacing-Technical Information Guide" and "Handbook for Public Playground Safety." Copies of these reports can be obtained by sending a postcard to:

Office of Public Affairs
U.S. Consumer Product Safety Commission
Washington, D.C. 20207

Toll-free Hotline: 1-800-638-2772 or at <http://www.cpsc.gov>

2018 TREE FROGS Limited Lifetime Warranty

Limited 10-Year Warranty, Limited 5-Year Warranty

Tree Frogs Warranties all Jaguar Playcenter Series, Bengal Forts Series, MegaDeck Fort Series Redwood components and Cedar components against structural failure due to warping, wood rot, insect infestation (excluding Carpenter Bees) or decay for the period of 10 Years from the date of original purchase. This warranty does not cover cracks, fissions, checks, fading, knots and weathering that are normal natural characteristics of wood, that do not affect the structural integrity of the product. The Redwood and Cedar components warranty is extended to a Limited Lifetime Warranty to the original owner upon registering this warranty within 90 days of purchase at www.treefrogsswingsets.com.

Tree Frogs Warranties all Parrot Island Fort Series, Parrot Island Playcenter Series, Rainforest Cottage Series Cedar components against structural failure due to warping, wood rot, insect infestation (excluding Carpenter Bees) or decay for a period of 10 Years from the date of original purchase. This warranty does not cover cracks, fissions, checks, fading, knots and weathering that are normal natural characteristics of wood, that do not affect the structural integrity of the product.

Tree Frogs Warranties all Toucan Fort Series, Toucan Playcenter Series, Orangutan Fort Series, Stand Alone Swings Cedar components against structural failure due to warping, wood rot, insect infestation (excluding Carpenter Bees) or decay for a period of 5 Years from the date of original purchase. This warranty does not cover cracks, fissions, checks, fading, knots and weathering that are normal natural characteristics of wood, that do not affect the structural integrity of the product.

In addition, a 10-Year Limited Warranty applies to all roto-molded slides, ductile iron swing hangers, tire swivels, metal climbing rungs and swing beam brackets against failure due to rust or failure in defect in material. Surface rust, fading, weathering, cracks/chips in coatings and corrosion that do not affect structural integrity are not covered by this warranty.

Furthermore, a 5-Year Limited Warranty applies to all components & accessories including all swings, chain ladders, gliders, handles, brackets, bubble panels, tarps, steering/ships wheels, telescopes, binoculars, buoy ball, blow molded slides and disc seat that are not covered under the 10-Year Warranty to be free from defects in material and workmanship. Surface rust, fading, weathering, cracks/chips in coatings and corrosion that do not affect structural integrity are not covered by this warranty.

And for a period of 1-Year Tree Frogs warranties all ropes, structural foam molded slides to be free of defects in material and workmanship. Fading is not considered a defect and may occur with seasonal and geographical conditions.

*10-Year Warranty Exclusion: Toucan Fort Series, Toucan Playcenter Series, Orangutan Series, Stand Alone Swings (Limited 5Yr/5Yr/1Yr WARRANTY).

This warranty is limited to a repair or replacement of the defective part. Product covered under this warranty will be shipped at the customer's expense. Tree Frogs is not responsible for any expense associated with freight, or delivery and installation of the warranted part(s). Tree Frogs reserves the right to inspect all warranty claim parts for which a claim has been made.

This limited warranty applies only to the original retail purchaser and for residential use only, non-residential use voids warranty. These warranties void when product is transferred or sold or no longer in possession by original owner. A copy of the original invoice must be presented to initiate warranty claim. This limited warranty does not cover damage from abuse, acts of God, vandalism, maintenance guideline neglect, alterations, normal wear & tear, use other than residential, unauthorized modification, damage due to moving of product or improper installation and or use. Any modification could damage the structural integrity of the play system and voids all warranties.





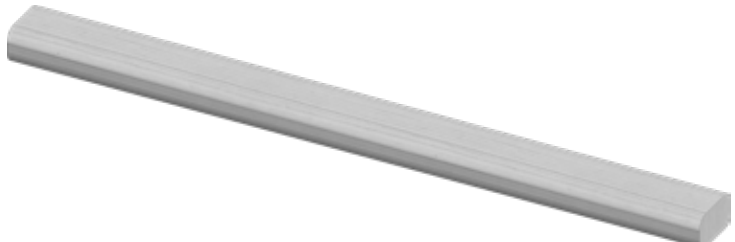
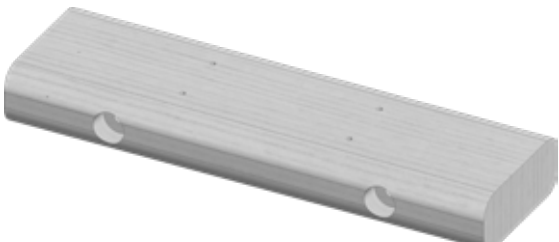

This warranty is exclusive and expressly in lieu of all other warranties, expressed or implied, including warranties of merchantability or fitness for use. Tree Frogs does not assume, or authorize any person to assume for us, any other liability in connection with the sale of our products.

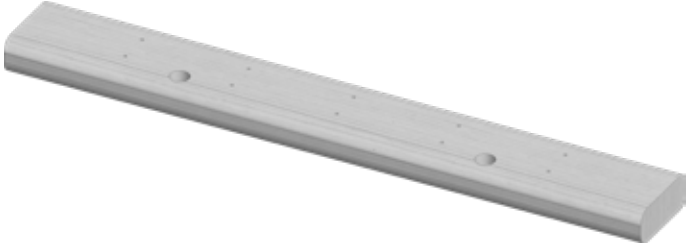
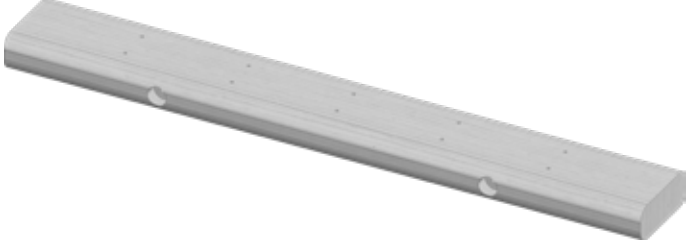





This warranty gives you specific legal rights, and you also may have other rights that vary from state to state.



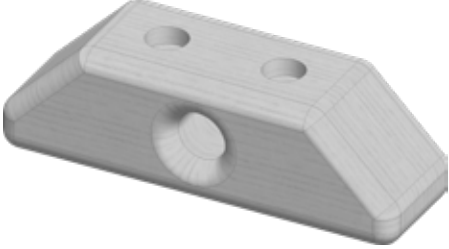
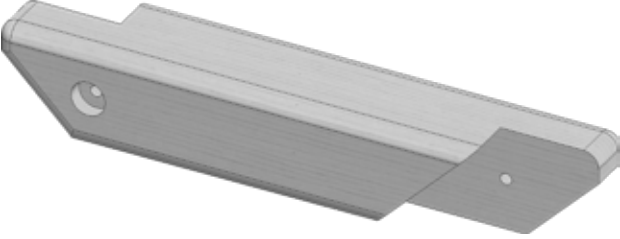
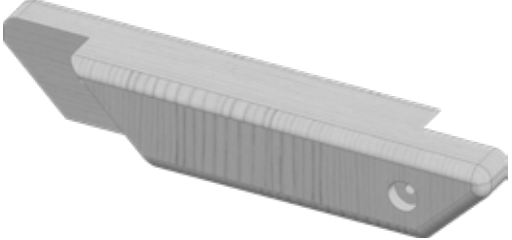
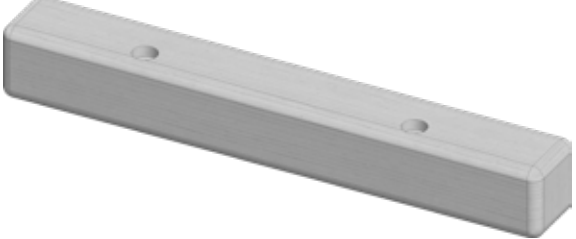
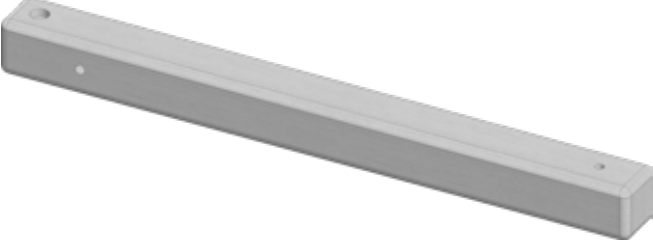
Register your play system's warranty at www.treefrogsswingsets.com.

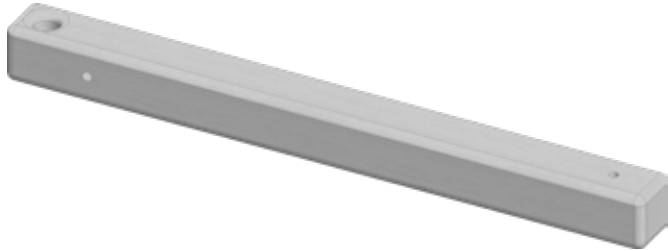






Tree Frogs reserves the right at any time to change product specifications or substitute similar components.


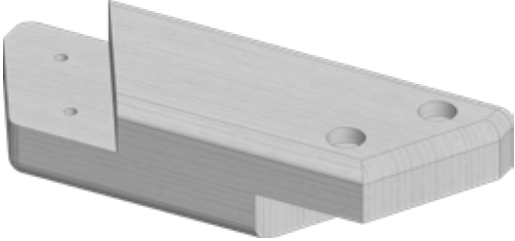
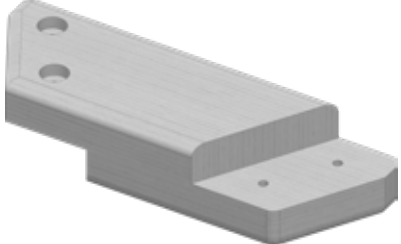




See your instruction manual for guidelines on regular maintenance. <http://treefrogsshowrooms.com/installation-manuals/> . Your child's play system & perimeter play zone should be inspected regularly for any wear & safety hazards.



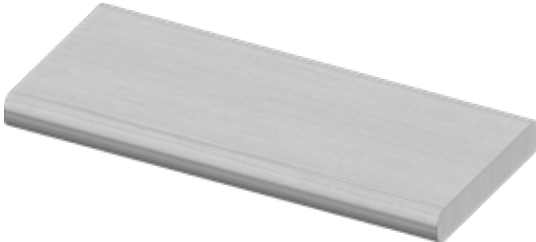


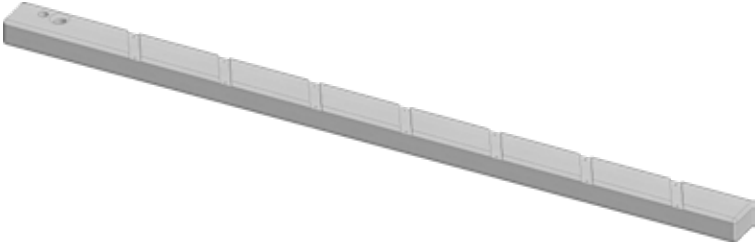
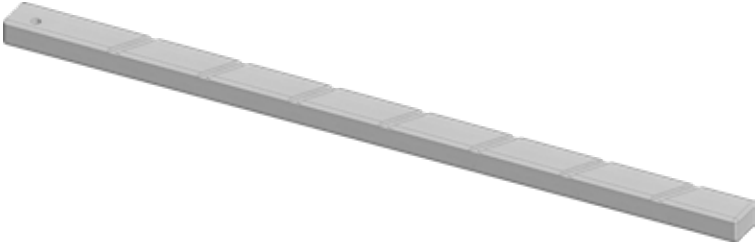
KSI-458 Jaguar Playcenter - MegaSized Base	Description	QTY.
	<p>458-01 Rockwall Board w/ Hole Box 2 of 3</p>	<p>1</p>
	<p>458-02 1- Rock Rockwall Board Box 2 of 3</p>	<p>5</p>
	<p>458-03 2- Rock Rockwall Board Box 2 of 3</p>	<p>4</p>
	<p>458-04 Blank Rockwall Board Box 2 of 3</p>	<p>4</p>
	<p>458-05 Rail Spindle Box 3 of 3</p>	<p>23</p>
	<p>458-06 Mid Rail Top Box 2 of 3</p>	<p>4</p>
	<p>458-07 Mid Rail Bottom Box 2 of 3</p>	<p>8</p>



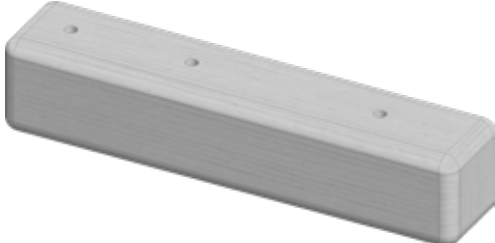
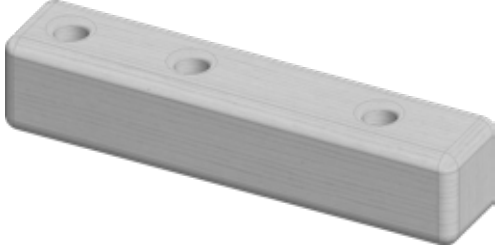



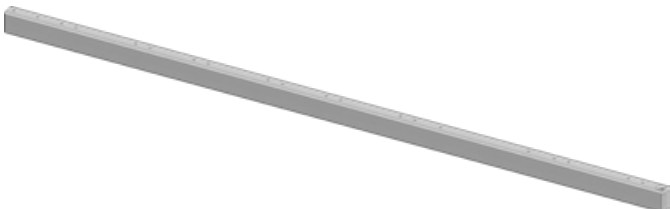
KSI-458 Jaguar Playcenter - MegaSized Base	Description	QTY.
	<p>458-08 Rail Bottom Box 1 of 3</p>	<p>6</p>
	<p>458-09 Rail Top Box 1 of 3</p>	<p>3</p>
	<p>458-10 Rope Rung Box 3 of 3</p>	<p>6</p>
	<p>458-11 Deck Runner Box 3 of 3</p>	<p>6</p>
	<p>458-12 Center Tarp Board Box 3 of 3</p>	<p>1</p>
	<p>458-13 Tarp Board Box 3 of 3</p>	<p>2</p>
	<p>458-14 Deck Board Slim Box 2 of 3</p>	<p>6</p>

KSI-458 Jaguar Playcenter - MegaSized Base	Description	QTY.
	<p>458-15 Deck Support Box 2 of 3</p>	<p>3</p>
	<p>458-16 Deck Board Box 2 of 3</p>	<p>12</p>
	<p>458-17 Rope Block Box 1 of 3</p>	<p>1</p>
	<p>458-18 Left Gusset Box 1 of 3</p>	<p>5</p>
	<p>458-19 Right Gusset Box 3 of 3</p>	<p>5</p>
	<p>458-20 Entrapment Block Box 3 of 3</p>	<p>1</p>
	<p>458-21 Mid Rail Post Box 3 of 3</p>	<p>4</p>

KSI-458 Jaguar Playcenter - MegaSized Base	Description	QTY.
	<p>458-22 Corner Post Box 1 of 3</p>	<p>4</p>
	<p>458-23 Ground Runner Box 1 of 3</p>	<p>1</p>
	<p>458-24 Center Post Box 3 of 3</p>	<p>2</p>
	<p>458-25 Upper Rope Arm Box 1 of 3</p>	<p>1</p>
	<p>458-26 Trapeze Arm Box 1 of 3</p>	<p>1</p>
	<p>458-27 Lower Rope Arm Box 1 of 3</p>	<p>1</p>
	<p>458-28 Top Joist Box 1 of 3</p>	<p>1</p>

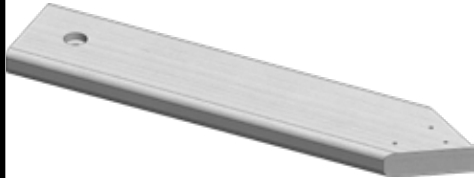
KSI-458 Jaguar Playcenter - MegaSized Base	Description	QTY.
	<p>458-29 Swingbeam Top Joist Box 1 of 3</p>	<p>1</p>
	<p>458-30 Left Gusset Box 3 of 3</p>	<p>2</p>
	<p>458-31 Right Gusset Box 3 of 3</p>	<p>2</p>
	<p>458-32 Mainbeam Box 1 of 3</p>	<p>2</p>
KSI-454 7.4 Jaguar Playcenter	Description	QTY.
	<p>454-01 Rockwall Board- Ripped Box 1 of 4</p>	<p>1</p>
	<p>454-02 Blank Rockwall Board Box 1 of 4</p>	<p>1</p>
	<p>454-03 2- Rock Rockwall Board Box 1 of 4</p>	<p>1</p>

KSI-454 7.4 Jaguar Playcenter	Description	QTY.
	<p>454-04 1- Rock Rockwall Board Box 1 fo 4</p>	<p>2</p>
	<p>454-05 Rope Rung Box 1 of 4</p>	<p>2</p>
	<p>454-06 Ladder Step Box 1 of 4</p>	<p>7</p>
	<p>454-07 Left Rockwall Leg Box 1 of 4</p>	<p>1</p>
	<p>454-08 Right Rockwall Leg Box 1 of 4</p>	<p>1</p>
	<p>454-09 Left Step Ladder Leg Box 1 of 4</p>	<p>1</p>
	<p>454-10 Right Step Ladder Leg Box 1 of 4</p>	<p>1</p>

KSI-454 7.4 Jaguar Playcenter	Description	QTY.
	<p>454-11 Right Pipe Ladder Leg Box 1 of 4</p>	<p>1</p>
	<p>013-01 Center A-Frame Block Box 2 of 4</p>	<p>1</p>
	<p>013-02 A- Frame Block Box 2 of 4</p>	<p>1</p>
	<p>013-03 A- Frame Block Sunked Box 2 of 4</p>	<p>1</p>
	<p>013-04 4- Position Header Box 2 of 4</p>	<p>1</p>
	<p>013-05 Crossmember Box 2 of 4</p>	<p>1</p>
	<p>013-06 A- Frame Leg Box 2 of 4</p>	<p>2</p>
	<p>013-07 4 Position Swingbeam Box 2 of 4</p>	<p>1</p>

Jaguar Playcenter Wood Roof Option

456-1
Box 1 of 1
Short Fan Board
QTY. 4



456-2
Box 1 of 1
Wood Roof Support
QTY. 2



456-3
Box 1 of 1
Center Fan Board
QTY. 2



456-4
Box 1 of 1
21 3/8" Long Fan Board
QTY. 4



456-5
Box 1 of 1
Wood Roof Support
QTY. 4



456-6
Box 1 of 1
Bottom Fan Board
QTY. 2



456-7
Box 1 of 1
Center Fan Board
QTY. 2



456-8
Box 1 of 1
Wood Roof Top Board
QTY. 1



456-9
Box 1 of 1
Left Wood Roof Runner
QTY. 2



456-10
Box 1 of 1
Right Wood Roof Runner
QTY. 2

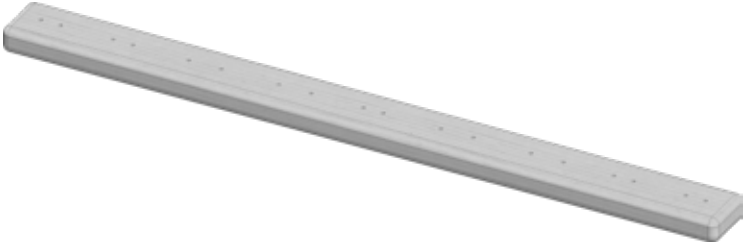


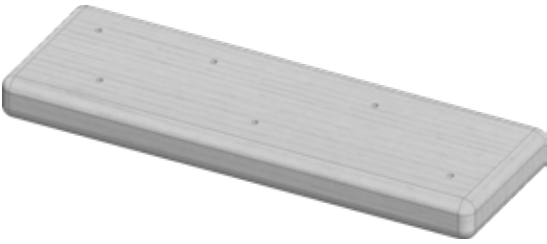
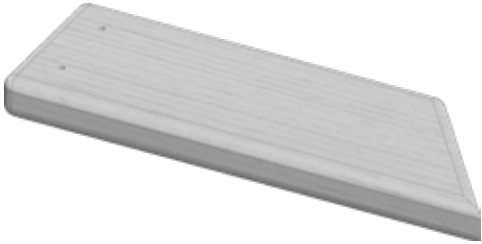
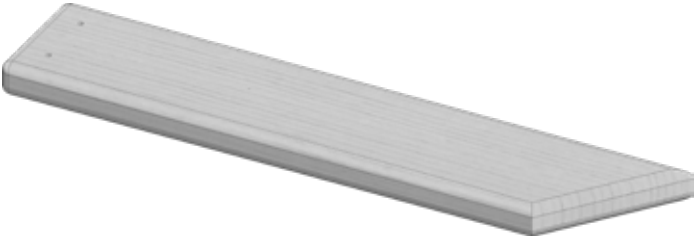
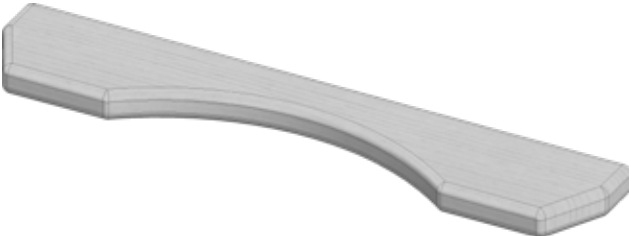


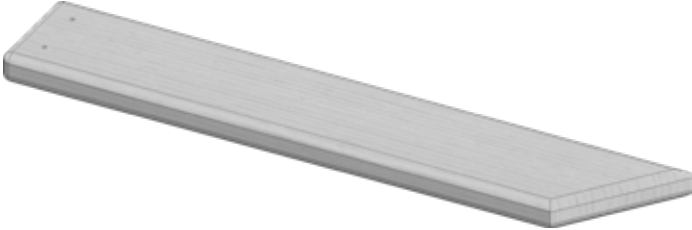
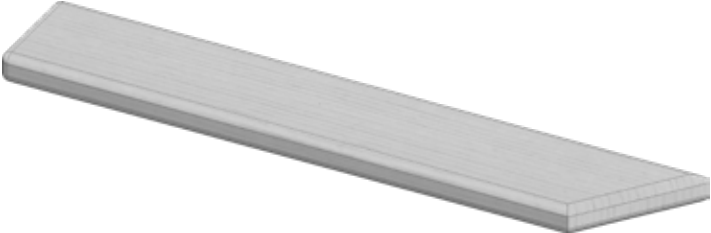


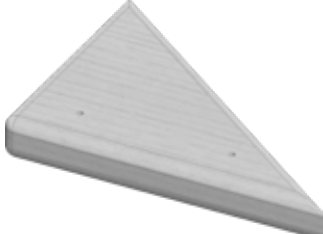
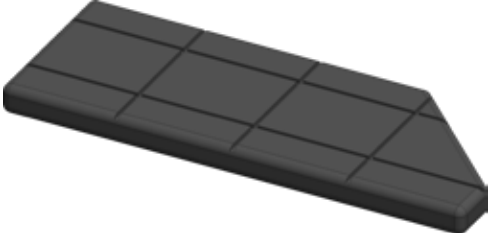
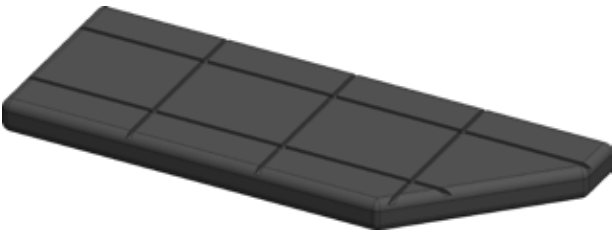
456-11
Box 1 of 1
Wood Roof Board- Ripped
QTY. 2

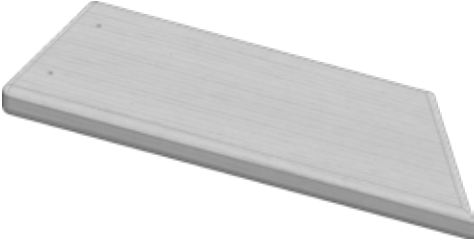


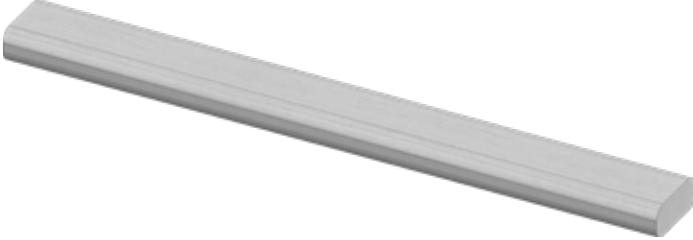









456-12
Box 1 of 1
Wood Roof Board
QTY. 32















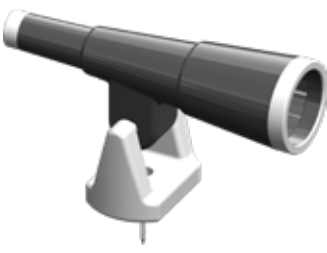
Jaguar Playcenter Treehouse Panels	Description	QTY.
	<p>457-01 Panel Support Box 1 of 1</p>	<p>6</p>
	<p>457-02 Upper Panel Board #9 Box 1 of 1</p>	<p>12</p>
	<p>457-03 Upper Panel Board #2 Box 1 of 1</p>	<p>4</p>
	<p>457-04 Upper Panel Board #12 Box 1 of 1</p>	<p>4</p>
	<p>457-05 Upper Panel Board #3 Box 1 of 1</p>	<p>4</p>
	<p>457-06 Upper Panel Board #5 Box 1 of 1</p>	<p>4</p>
	<p>457-07 Window Arch Box 1 of 1</p>	<p>4</p>

Jaguar Playcenter Treehouse Panels	Description	QTY.
	<p>457-08 Upper Panel Board #6 Box 1 of 1</p>	4
	<p>457-09 Upper Panel Board #7 Box 1 of 1</p>	4
	<p>457-10 Upper Inside Panel Support Box 1 of 1</p>	4
	<p>457-11 Upper Panel Board #11 Box 1 of 1</p>	4
	<p>457-12 Upper Panel Board #1 Box 1 of 1</p>	4
	<p>457-13 Left Shutter Box 1 of 1</p>	4
	<p>457-14 Right Shutter Box 1 of 1</p>	4

Jaguar Playcenter Treehouse Panels	Description	QTY.
	<p>457-15 Upper Panel Board #4 Box 1 of 1</p>	<p>4</p>
	<p>457-16 Upper Panel Board #10 Box 1 of 1</p>	<p>4</p>
	<p>457-17 Upper Panel Board #8 Box 1 of 1</p>	<p>4</p>
	<p>457-18 Lower Panel Filler Board Box 1 of 1</p>	<p>12</p>

7.4 Jaguar Playcenter MegaSized	Description	QTY.
	<p>454-A 60" Chained Belt Swing</p>	<p>3</p>
	<p>454-B Tire Swivel</p>	<p>1</p>
	<p>454-C Rockwall Rocks</p>	<p>19</p>
	<p>454-D 19" Ships Wheel</p>	<p>1</p>
	<p>454-E 90" Chained Belt Swing</p>	<p>3</p>
	<p>454-F 20" Trapeze Bar</p>	<p>1</p>
	<p>454-G 16' Yellow Rope</p>	<p>1</p>

7.4 Jaguar Playcenter MegaSized	Description	QTY.
	<p>454-H 18' Yellow Rope</p>	<p>1</p>
	<p>454-I 19' Yellow Rope</p>	<p>3</p>
	<p>454-J 21" x 63" Chain Ladder</p>	<p>1</p>
	<p>454-K 25" Playgrip Tube</p>	<p>3</p>
	<p>454-L 44" Playgrip Tube</p>	<p>1</p>
	<p>454-M Ductile Iron Swing Hanger</p>	<p>8</p>
	<p>454-N Playgrip Handle</p>	<p>4</p>

7.4 Jaguar Playcenter MegaSized	Description	QTY.
	<p>454-O Playgrip Ladder Handle</p>	<p>3</p>
	<p>454-P Swingbeam T-Bracket</p>	<p>1</p>
	<p>454-Q Swingbeam 45 Degree Bracket</p>	<p>1</p>
	<p>454-R Heavy Duty Tire Swing Eye Bolt</p>	<p>3</p>
	<p>454-S Disc Swing</p>	<p>1</p>
	<p>454-T Telescope</p>	<p>1</p>

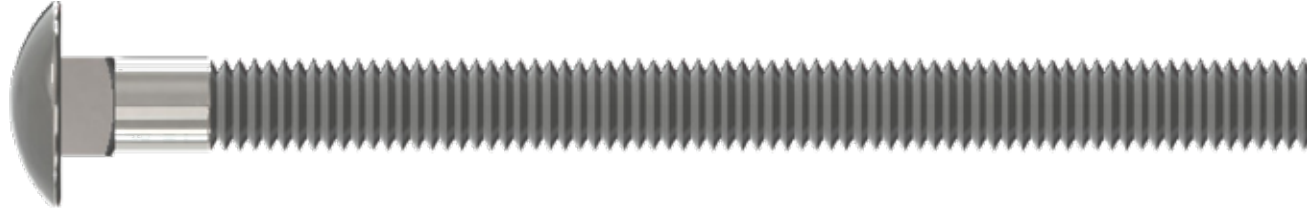
458-HWR (JAGUAR PLAYCENTER MEGASIZED HARDWARE BAG)

INSTALLER NOTE: (YOU MUST ASSEMBLE THIS PRODUCT IN ACCORDANCE WITH THESE ASSEMBLY INSTRUCTIONS. WHEN COMPLETE GIVE MANUAL TO OWNER.)

A-1
1/2" Acorn Nut Plated
QTY. 4



A-2
1/2" 6 1/2" Carriage Bolt
QTY. 4



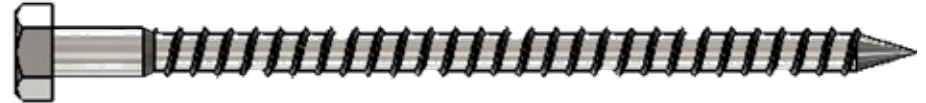
A-3
1/2" Hex Nut
QTY. 4



A-4
1/4" x 3" Hex Lag Screw
QTY. 16



A-5
1/4" x 4 1/2" Hex Lag Screw
QTY. 12



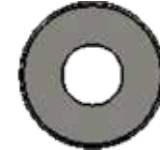
A-6
3/8" x 5" Hex Lag Screw
QTY. 4



A-7
1/2" Split Lockwasher
QTY. 4



A-8
1/4" USS Flatwasher
QTY. 35



Note: Hardware Pictures above may not be to scale, please use a Tape Measure to Verify Length. Measurement should be taken from the bottom of the bolt head to the bottom of the bolt.

NOTE: HARDWARE PICTURES ARE FOR ILLUSTRATIVE PURPOSES ONLY AND MAY DIFFER FROM THE ACTUAL PRODUCT. FOR EXAMPLE - TREAD COUNT AND LENGTH OF TREAD ON BOLT. *

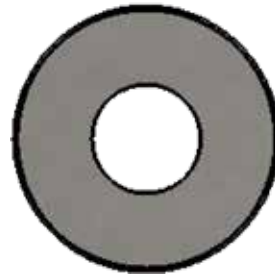
458-HWR (JAGUAR PLAYCENTER MEGASIZED HARDWARE BAG)

INSTALLER NOTE: (YOU MUST ASSEMBLE THIS PRODUCT IN ACCORDANCE WITH THESE ASSEMBLY INSTRUCTIONS. WHEN COMPLETE GIVE MANUAL TO OWNER.)

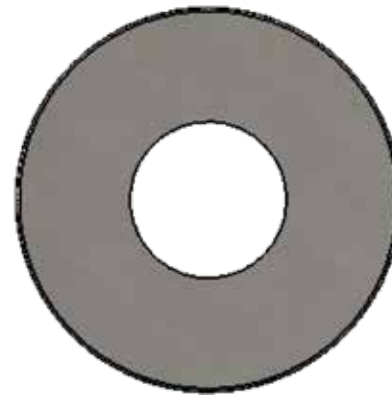
A-9
3/8" USS Flatwasher
QTY. 8



A-10
1/2" USS Flatwasher
QTY. 4



A-1
3/4" USS Flatwasher
QTY. 4



B
2 1/2" Coated Deck Screw
QTY. 84



Note: Hardware Pictures above may not be to scale, please use a Tape Measure to Verify Length. Measurement should be taken from the bottom of the bolt head to the bottom of the bolt.

NOTE: HARDWARE PICTURES ARE FOR ILLUSTRATIVE PURPOSES ONLY AND MAY DIFFER FROM THE ACTUAL PRODUCT. FOR EXAMPLE - TREAD COUNT AND LENGTH OF TREAD ON BOLT. *

454-HWR (7.4 JAGUAR PLAYCENTER HARDWARE BAG)

INSTALLER NOTE: (YOU MUST ASSEMBLE THIS PRODUCT IN ACCORDANCE WITH THESE ASSEMBLY INSTRUCTIONS. WHEN COMPLETE GIVE MANUAL TO OWNER.)

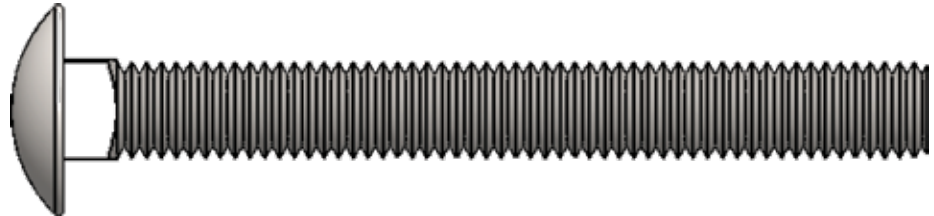
A-1
3/8" Acorn Nut Plated
QTY. 4



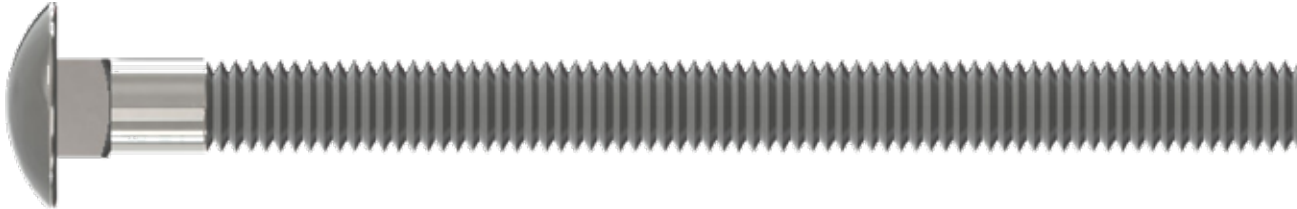
A-2
1/2" Acorn Nut Plated
QTY. 22



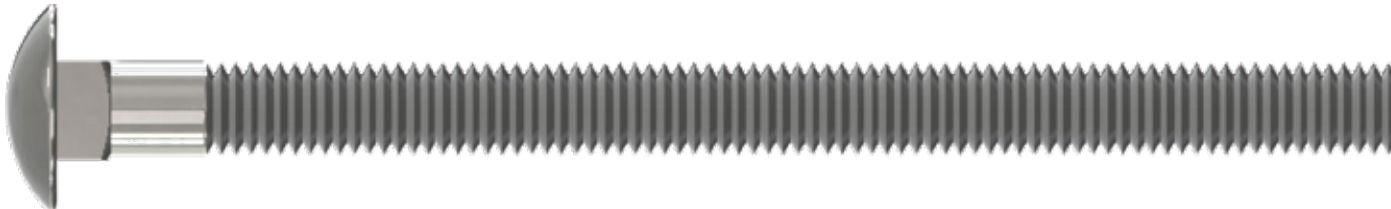
A-3
1/2" x 4 1/2" Carriage Bolt
QTY. 2



A-4
1/2" x 6 1/2" Carriage Bolt
QTY. 16



A-5
1/2" x 7" Carriage Bolt
QTY. 4



***Note: Hardware Pictures above may not be to scale, please use a Tape Measure to Verify Length.
Measurement should be taken from the bottom of the bolt head to the bottom of the bolt.***

**NOTE: HARDWARE PICTURES ARE FOR ILLUSTRATIVE PURPOSES ONLY AND MAY DIFFER FROM THE ACTUAL PRODUCT.
FOR EXAMPLE - TREAD COUNT AND LENGTH OF TREAD ON BOLT. ***

454-HWR (7.4 JAGUAR PLAYCENTER HARDWARE BAG)

INSTALLER NOTE: (YOU MUST ASSEMBLE THIS PRODUCT IN ACCORDANCE WITH THESE ASSEMBLY INSTRUCTIONS. WHEN COMPLETE GIVE MANUAL TO OWNER.)

A-6
3/8" x 5" Hex Bolt
QTY. 4



A-7
3/8" Nylon Insert Locknut
QTY. 4



A-8
3/8" Bolt Cup
QTY. 4



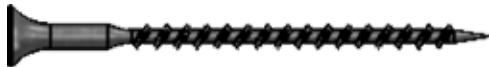
A-9
10 x 100mm Spring Clip
QTY. 5



A-10
#2 & 3 Drive Bit
QTY. 1



B
2 1/2" Coated Deck Screw
QTY. 222



C
1/2" Hex Nut
QTY. 22



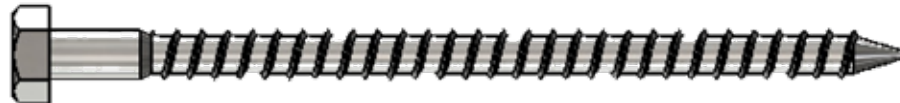
D
1/4" x 3" Hex Lag Screw
QTY. 13



A-1
3/8" Acorn Nut Plated
QTY. 4



E
1/4" x 4 1/2" Hex Lag Screw
QTY. 49



Note: Hardware Pictures above may not be to scale, please use a Tape Measure to Verify Length. Measurement should be taken from the bottom of the bolt head to the bottom of the bolt.

NOTE: HARDWARE PICTURES ARE FOR ILLUSTRATIVE PURPOSES ONLY AND MAY DIFFER FROM THE ACTUAL PRODUCT. FOR EXAMPLE - TREAD COUNT AND LENGTH OF TREAD ON BOLT. *

454-HWR (7.4 JAGUAR PLAYCENTER HARDWARE BAG)

INSTALLER NOTE: (YOU MUST ASSEMBLE THIS PRODUCT IN ACCORDANCE WITH THESE ASSEMBLY INSTRUCTIONS. WHEN COMPLETE GIVE MANUAL TO OWNER.)

F
3/8" x 3 1/2" Hex Lag Screw
QTY. 37



G
3/8" x 5" Hex Lag Screw
QTY. 4



H
#14 x 2" Pan Phillips T/S
QTY. 18



I
1/4" x 1 1/4" Pan Phillips M/S
QTY. 35



J
2" Metal Tap Screw
QTY. 11



K
1/4" 4- Prong T-Nut
QTY. 35



L
3/8" Split Lockwasher
QTY. 4



M
1/2" Split Lockwasher
QTY. 22



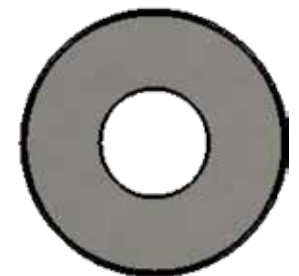
N
1/4" USS Flatwasher
QTY. 116



O
3/8" Acorn Nut Plated
QTY. 55



P
1/2" USS Flatwasher
QTY. 22



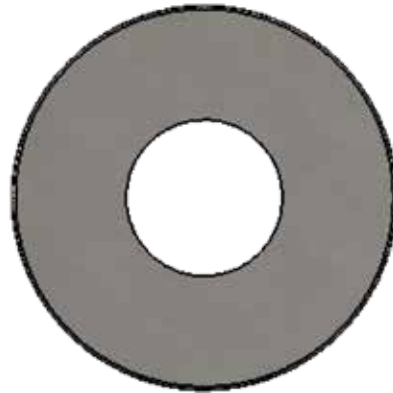
Note: Hardware Pictures above may not be to scale, please use a Tape Measure to Verify Length. Measurement should be taken from the bottom of the bolt head to the bottom of the bolt.

NOTE: HARDWARE PICTURES ARE FOR ILLUSTRATIVE PURPOSES ONLY AND MAY DIFFER FROM THE ACTUAL PRODUCT. FOR EXAMPLE - TREAD COUNT AND LENGTH OF TREAD ON BOLT. *

454-HWR (7.4 JAGUAR PLAYCENTER HARDWARE BAG)

INSTALLER NOTE: (YOU MUST ASSEMBLE THIS PRODUCT IN ACCORDANCE WITH THESE ASSEMBLY INSTRUCTIONS. WHEN COMPLETE GIVE MANUAL TO OWNER.)

Q
3/4" USS Flatwasher
QTY. 22



R
5/8" Phillips Screw Snap
QTY. 9



Note: Hardware Pictures above may not be to scale, please use a Tape Measure to Verify Length. Measurement should be taken from the bottom of the bolt head to the bottom of the bolt.

NOTE: HARDWARE PICTURES ARE FOR ILLUSTRATIVE PURPOSES ONLY AND MAY DIFFER FROM THE ACTUAL PRODUCT. FOR EXAMPLE - TREAD COUNT AND LENGTH OF TREAD ON BOLT. *

454-SB-HWR (7.4 JAGUAR PLAYCENTER SWINGBEAM HARDWARE BAG)

INSTALLER NOTE: (YOU MUST ASSEMBLE THIS PRODUCT IN ACCORDANCE WITH THESE ASSEMBLY INSTRUCTIONS. WHEN COMPLETE GIVE MANUAL TO OWNER.)

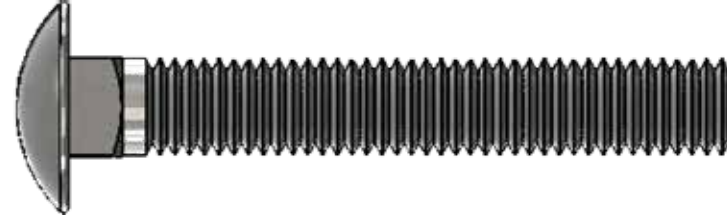
A-1
3/8" Acorn Nut Plated
QTY. 15



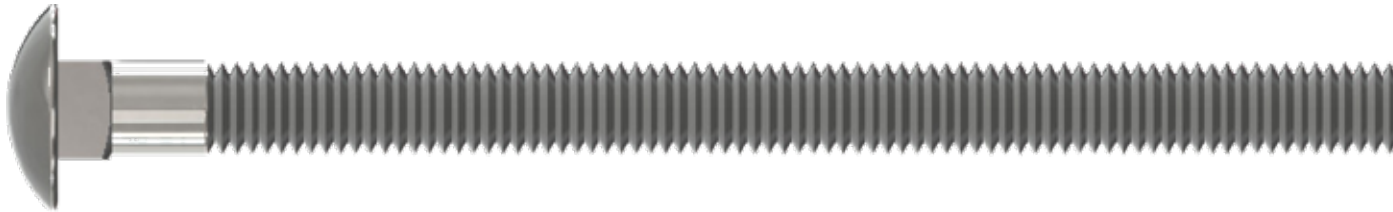
A-2
1/2" Acorn Nut Plated
QTY. 9



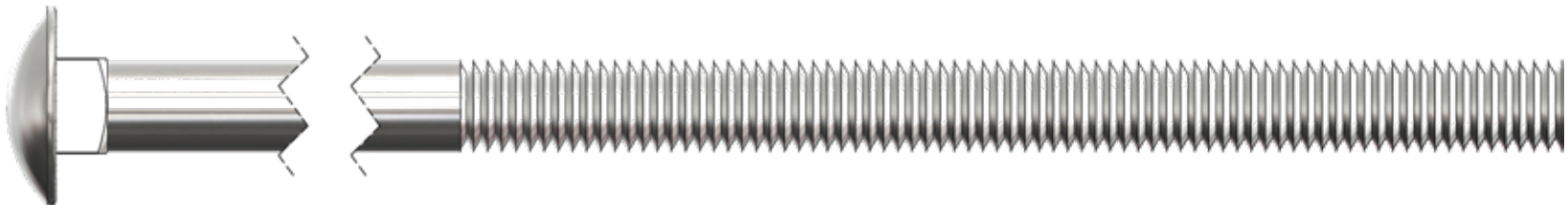
A-3
1/2" x 3 1/2" Carriage Bolt
QTY. 2



A-4
1/2" x 7" Carriage Bolt
QTY. 2



A-5
1/2" x 10" Carriage Bolt
QTY. 3



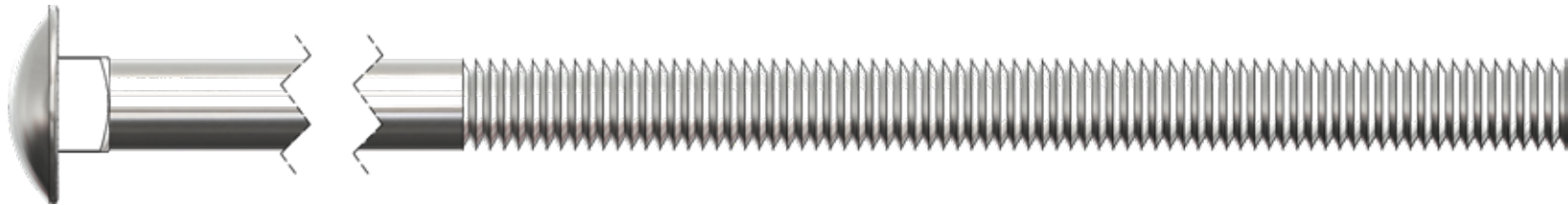
Note: Hardware Pictures above may not be to scale, please use a Tape Measure to Verify Length. Measurement should be taken from the bottom of the bolt head to the bottom of the bolt.

NOTE: HARDWARE PICTURES ARE FOR ILLUSTRATIVE PURPOSES ONLY AND MAY DIFFER FROM THE ACTUAL PRODUCT. FOR EXAMPLE - TREAD COUNT AND LENGTH OF TREAD ON BOLT. *

454-SB-HWR (7.4 JAGUAR PLAYCENTER SWINGBEAM HARDWARE BAG)

INSTALLER NOTE: (YOU MUST ASSEMBLE THIS PRODUCT IN ACCORDANCE WITH THESE ASSEMBLY INSTRUCTIONS. WHEN COMPLETE GIVE MANUAL TO OWNER.)

A-6
1/2" x 13" Carriage Bolt
QTY. 1



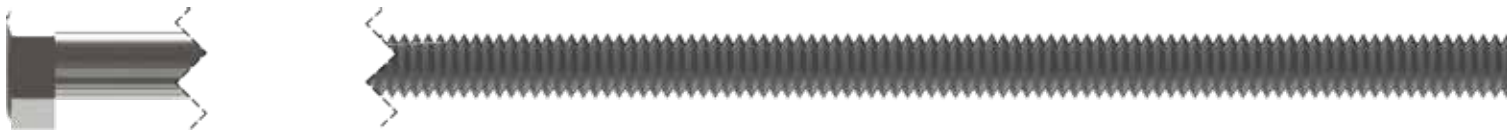
A-7
3/8" Hex Nut
QTY. 3



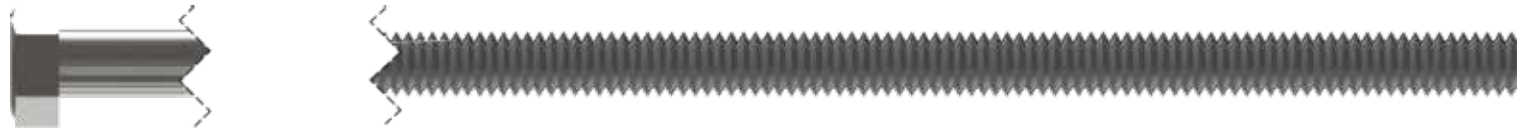
A-8
1/2" Hex Nut
QTY. 9



A-9
3/8" x 10" Hex Bolt
QTY. 3



A-10
3/8" x 10 1/2" Hex Bolt
QTY. 12



Note: Hardware Pictures above may not be to scale, please use a Tape Measure to Verify Length. Measurement should be taken from the bottom of the bolt head to the bottom of the bolt.

NOTE: HARDWARE PICTURES ARE FOR ILLUSTRATIVE PURPOSES ONLY AND MAY DIFFER FROM THE ACTUAL PRODUCT. FOR EXAMPLE - TREAD COUNT AND LENGTH OF TREAD ON BOLT. *

454-SB-HWR (7.4 JAGUAR PLAYCENTER SWINGBEAM HARDWARE BAG)

INSTALLER NOTE: (YOU MUST ASSEMBLE THIS PRODUCT IN ACCORDANCE WITH THESE ASSEMBLY INSTRUCTIONS. WHEN COMPLETE GIVE MANUAL TO OWNER.)

A-11
1/2" x 11 1/2"
QTY. 1



A-12
3/8" x 3 1/2" Hex Lag Screw
QTY. 2



A-13
3/8" x 5" Hex Lag Screw
QTY. 3



A-14
3/8" Nylon Insert Locknut
QTY. 12



A-15
#14 x 1" Pan Phillips T/S
QTY. 2



A-16
3/8" Split Lockwasher
QTY. 15



A-17
1/2" Split Lockwasher
QTY. 9



A-18
3/8" USS Flatwasher
QTY. 20



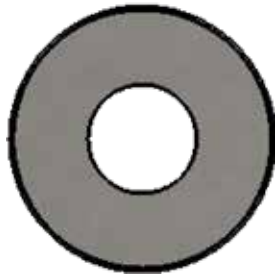
Note: Hardware Pictures above may not be to scale, please use a Tape Measure to Verify Length. Measurement should be taken from the bottom of the bolt head to the bottom of the bolt.

NOTE: HARDWARE PICTURES ARE FOR ILLUSTRATIVE PURPOSES ONLY AND MAY DIFFER FROM THE ACTUAL PRODUCT. FOR EXAMPLE - TREAD COUNT AND LENGTH OF TREAD ON BOLT. *

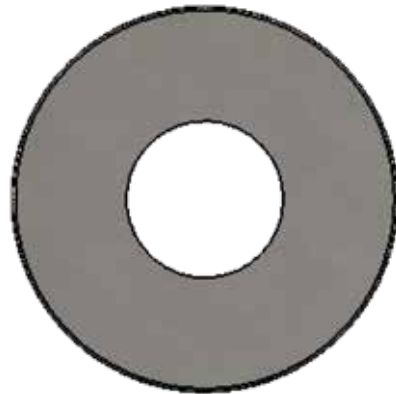
454-SB-HWR (7.4 JAGUAR PLAYCENTER SWINGBEAM HARDWARE BAG)

INSTALLER NOTE: (YOU MUST ASSEMBLE THIS PRODUCT IN ACCORDANCE WITH THESE ASSEMBLY INSTRUCTIONS. WHEN COMPLETE GIVE MANUAL TO OWNER.)

A-19
1/2" USS Flatwasher
QTY. 10



A-20
3/4" USS Flatwasher
QTY. 8



A-21
3/8" Bolt Cup
QTY. 15



A-22
10 x 100mm Spring Clip
QTY. 6



Note: Hardware Pictures above may not be to scale, please use a Tape Measure to Verify Length. Measurement should be taken from the bottom of the bolt head to the bottom of the bolt.

NOTE: HARDWARE PICTURES ARE FOR ILLUSTRATIVE PURPOSES ONLY AND MAY DIFFER FROM THE ACTUAL PRODUCT. FOR EXAMPLE - TREAD COUNT AND LENGTH OF TREAD ON BOLT. *

456-HWR-BAG (JAGUAR PLAYCENTER WOOD ROOF HARDWARE BAG)

INSTALLER NOTE: (YOU MUST ASSEMBLE THIS PRODUCT IN ACCORDANCE WITH THESE ASSEMBLY INSTRUCTIONS. WHEN COMPLETE GIVE MANUAL TO OWNER.)

A-1
3/8" Acorn Nut Plated
QTY. 4



A-2
3/8" x 5" Carriage Bolt
QTY. 4



A-3
1 1/4" Coated Deck Screw
QTY. 36



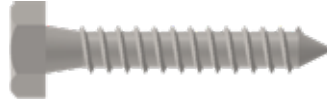
A-4
1 1/2" Coated Deck Screw
QTY. 185



A-5
3/8" Hex Nut
QTY. 4



A-6
1/4" x 1 1/2" Hex Lag Screw
QTY. 14



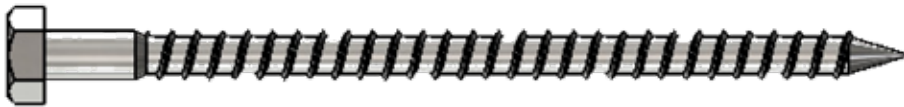
A-8
3/8" Split Lockwasher
QTY. 4



A-9
1/4" USS Flatwasher
QTY. 20



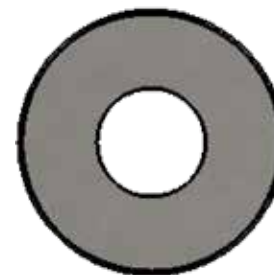
A-7
1/4" x 4 1/2" Hex Lag Screw
QTY. 6



A-10
3/8" USS Flatwasher
QTY. 4



A-11
1/2" USS Flatwasher
QTY. 4



A-12
#2 & 3 Drive
QTY. 1



Note: Hardware Pictures above may not be to scale, please use a Tape Measure to Verify Length. Measurement should be taken from the bottom of the bolt head to the bottom of the bolt.

NOTE: HARDWARE PICTURES ARE FOR ILLUSTRATIVE PURPOSES ONLY AND MAY DIFFER FROM THE ACTUAL PRODUCT. FOR EXAMPLE - TREAD COUNT AND LENGTH OF TREAD ON BOLT. *

457-HWR (JAGUAR PLAYCENTER TREEHOUSE PANELS HARDWARE BAG)

INSTALLER NOTE: (YOU MUST ASSEMBLE THIS PRODUCT IN ACCORDANCE WITH THESE ASSEMBLY INSTRUCTIONS. WHEN COMPLETE GIVE MANUAL TO OWNER.)

A-1
1 1/2" Coated Deck Screw
Qty. 216



A-2
2" Coated Deck Screw
Qty. 108



A-3
#2 & 3 Drive Bit
Qty. 1



Note: Hardware Pictures above may not be to scale, please use a Tape Measure to Verify Length. Measurement should be taken from the bottom of the bolt head to the bottom of the bolt.

NOTE: HARDWARE PICTURES ARE FOR ILLUSTRATIVE PURPOSES ONLY AND MAY DIFFER FROM THE ACTUAL PRODUCT. FOR EXAMPLE - TREAD COUNT AND LENGTH OF TREAD ON BOLT. *

7.4 Jaguar Playcenter MegaSized Installation

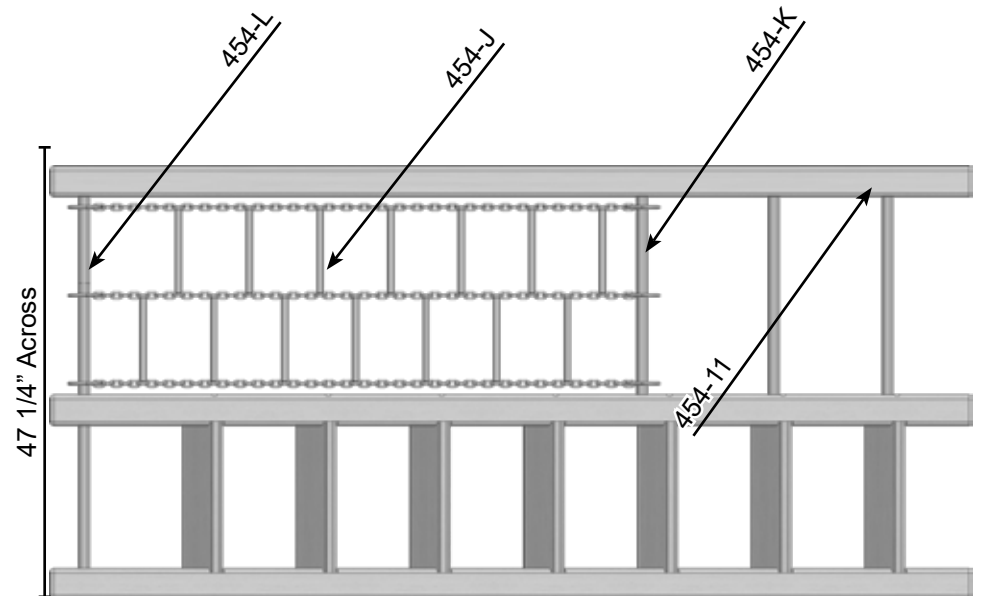
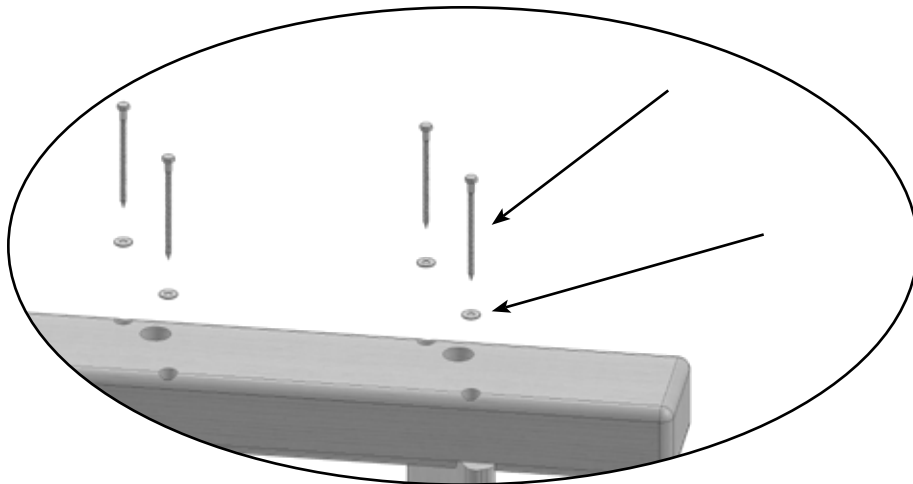
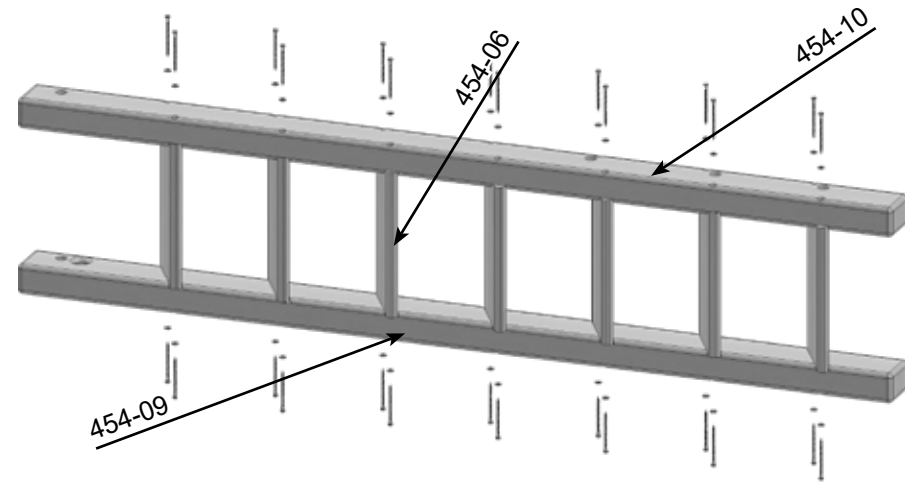
PARTS NEEDED

454-06- Wood Step-	(7)	454-09- Left Wood Step Ladder-	(1)
454-10- Right Step Ladder Leg -	(1)	454-L- 1 1/4" x 44" Playgrip Tube-	(1)
454-J- 21" x 63" Chain Ladder-	(1)	454-K- 1 1/4" x 25" Playgrip Tube-	(2)
454-11- Right Pipe Ladder Leg-	(1)		

HARDWARE NEEDED

E- 1/4" x 4 1/2" Hex Lag Screw-	(28)
N- 1/4" USS Flatwasher-	(28)

Step/ Chain Ladder Assembly



7.4 Jaguar Playcenter MegaSized Installation

PARTS NEEDED

458-27- Lower Rope Arm- (1)

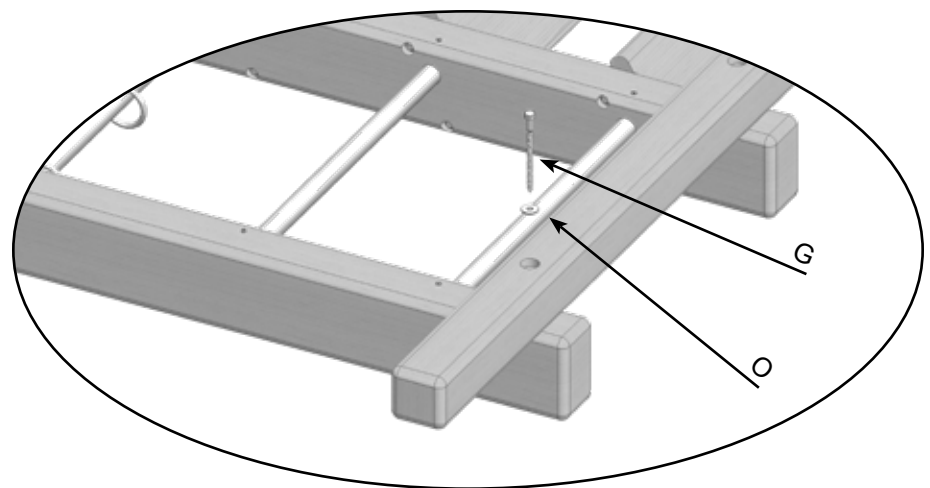
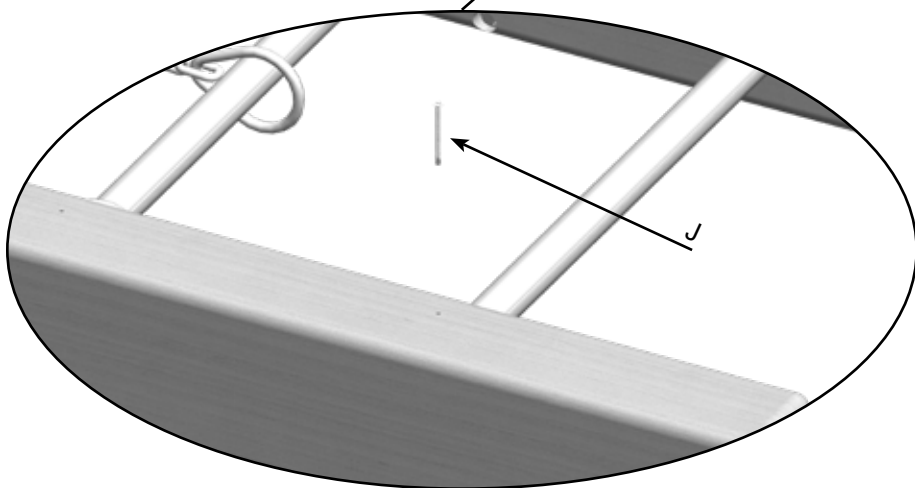
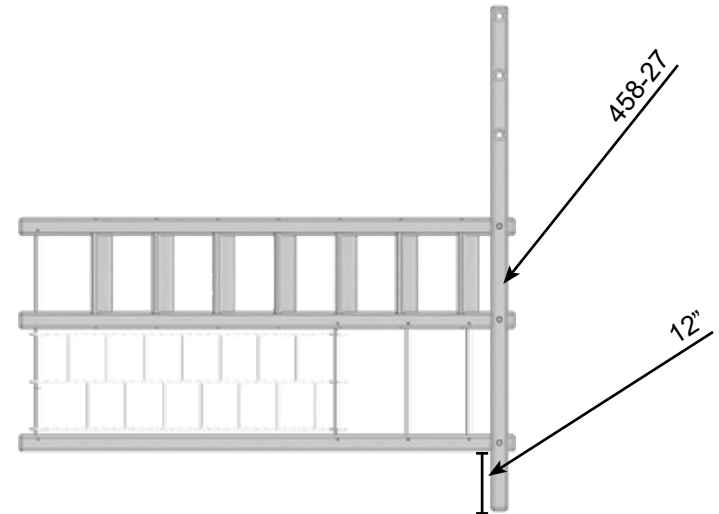
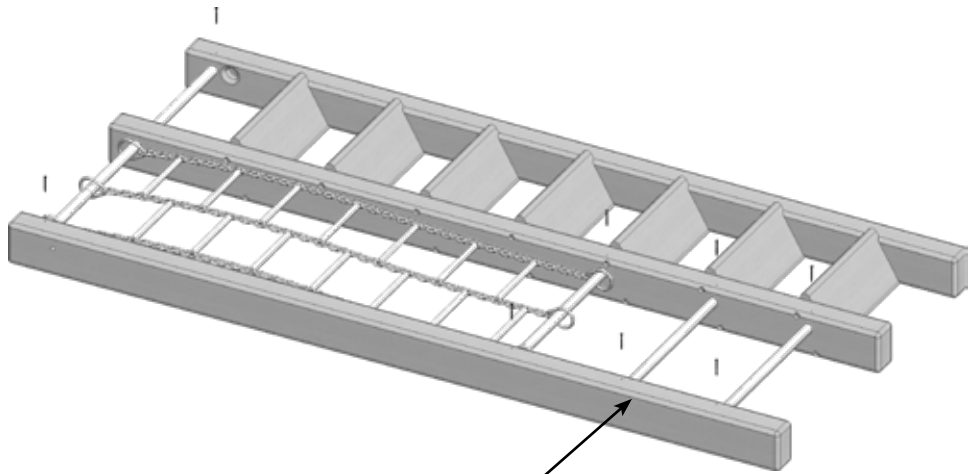
HARDWARE NEEDED

J- 2" Metal Tap Screw- (7)

G- 3/8" x 5" Hex Lag Screw- (3)

O- 3/8" USS Flatwasher- (3)

Step/ Chain Ladder Assembly



7.4 Jaguar Playcenter MegaSized Installation

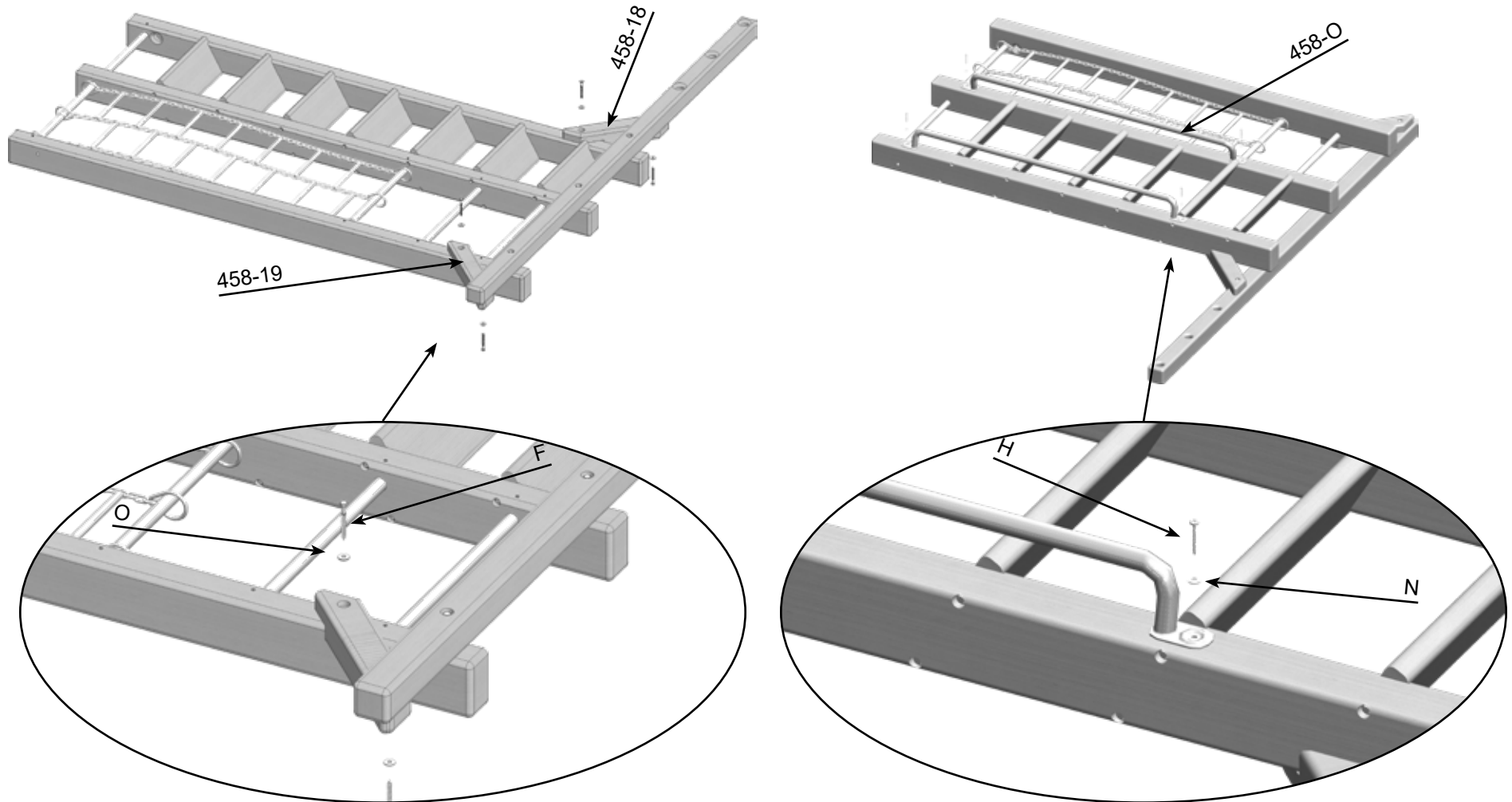
PARTS NEEDED

- 458-18- Left Gusset Bracket- (1)
- 458-19- Right Gusset Bracket- (1)
- 458-O- Playgrip Ladder Handle- (3)

HARDWARE NEEDED

- F- 3/8" x 3 1/2" Hex Lag Screw- (4)
- O- 3/8" USS Flatwasher- (4)
- H- #14 x 2" Pan Phillips T/S- (6)
- N- 1/4" USS Flatwasher- (6)

Step/ Chain Ladder Assembly



7.4 Jaguar Playcenter MegaSized Installation

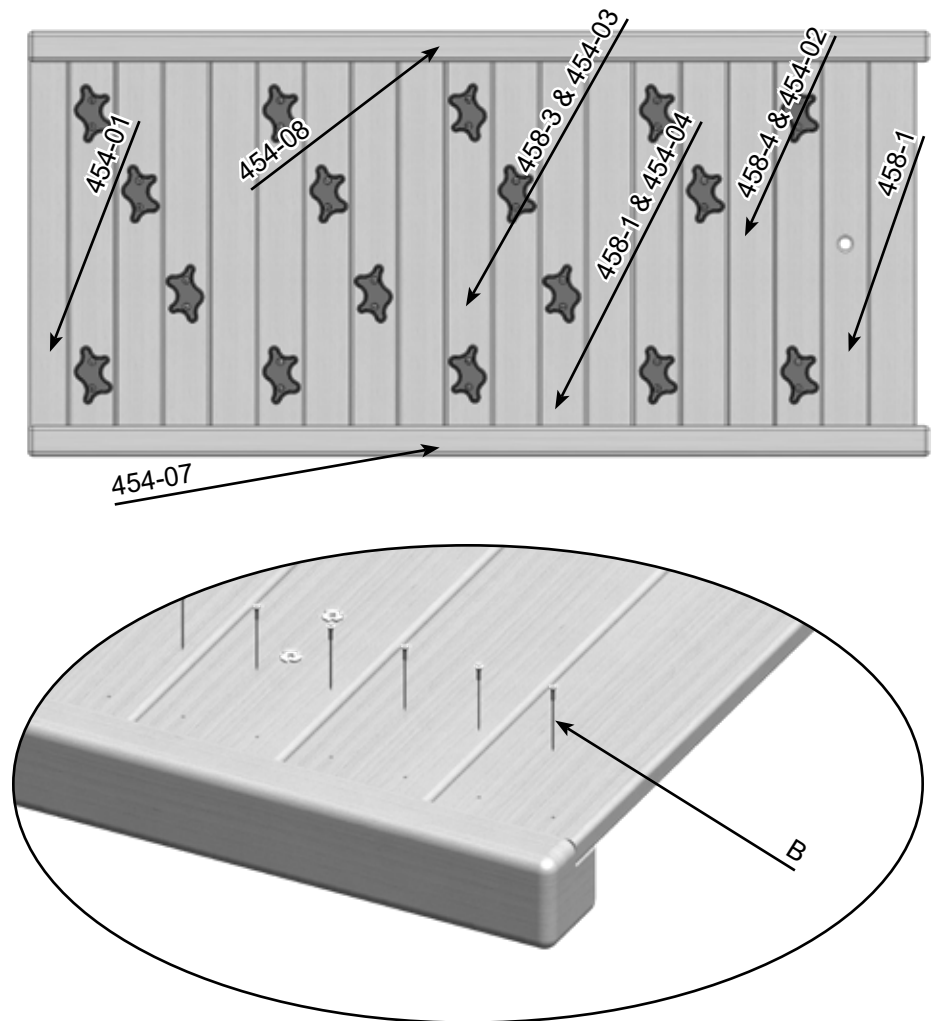
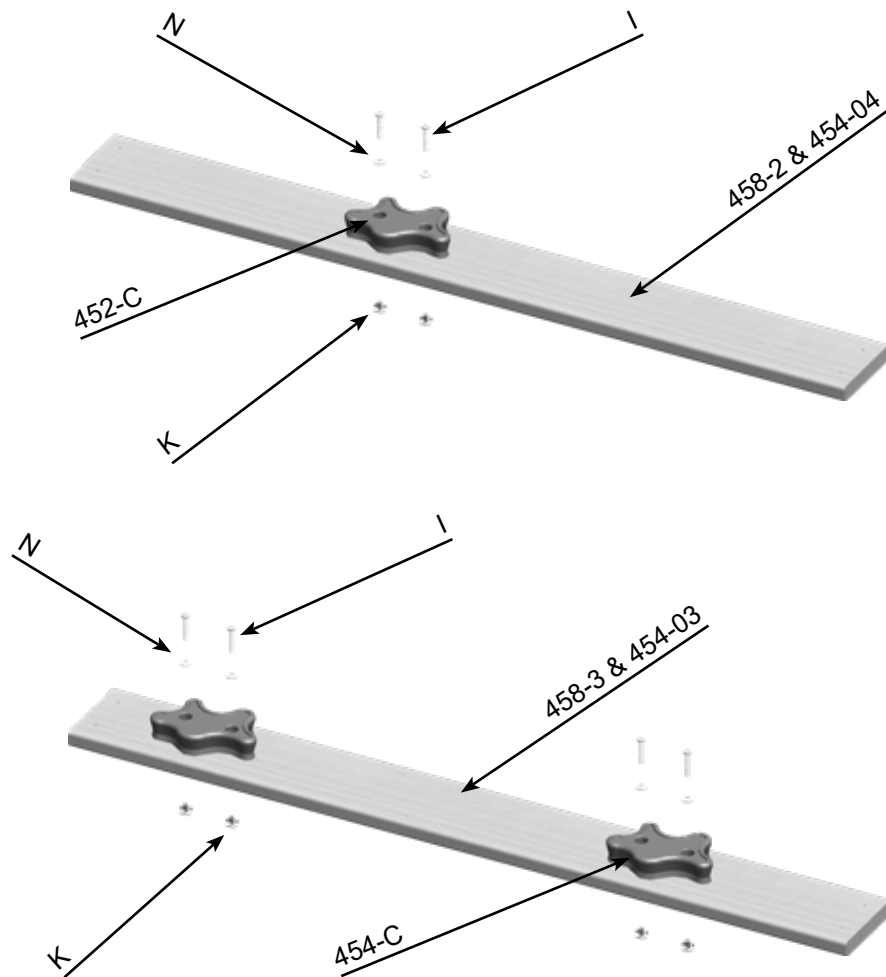
PARTS NEEDED

458-2- Rockwall Board 1-Rock-	(5)	458-3- 2- Rock Rockwall Board-	(4)
458-4- Rockwall Board- Blank-	(4)	458-1- Rockwall Board w/ Rope Hole-	(1)
454-07- Left Rockwall Leg-	(1)	454-08- Right Rockwall Leg-	(1)
454-03- 2- Rockwall Rockwall Board-	(1)	454-02- Blank Rockwall Board-	(1)
454-01- Rockwall Board- Slim-	(1)	454-C- Rockwall Rocks-	(19)
454-04- 1- Rock Rockwall Board-	(2)		

HARDWARE NEEDED

I- 1/4" x 1 1/4" Pan Phillips M/S-	(30)
N- 1/4" USS Flatwasher-	(30)
K- 1/4" 4- Prong T-Nut-	(30)
B- 2 1/2" Coated Deck Screw-	(68)

Rockwall Assembly



7.4 Jaguar Playcenter MegaSized Installation

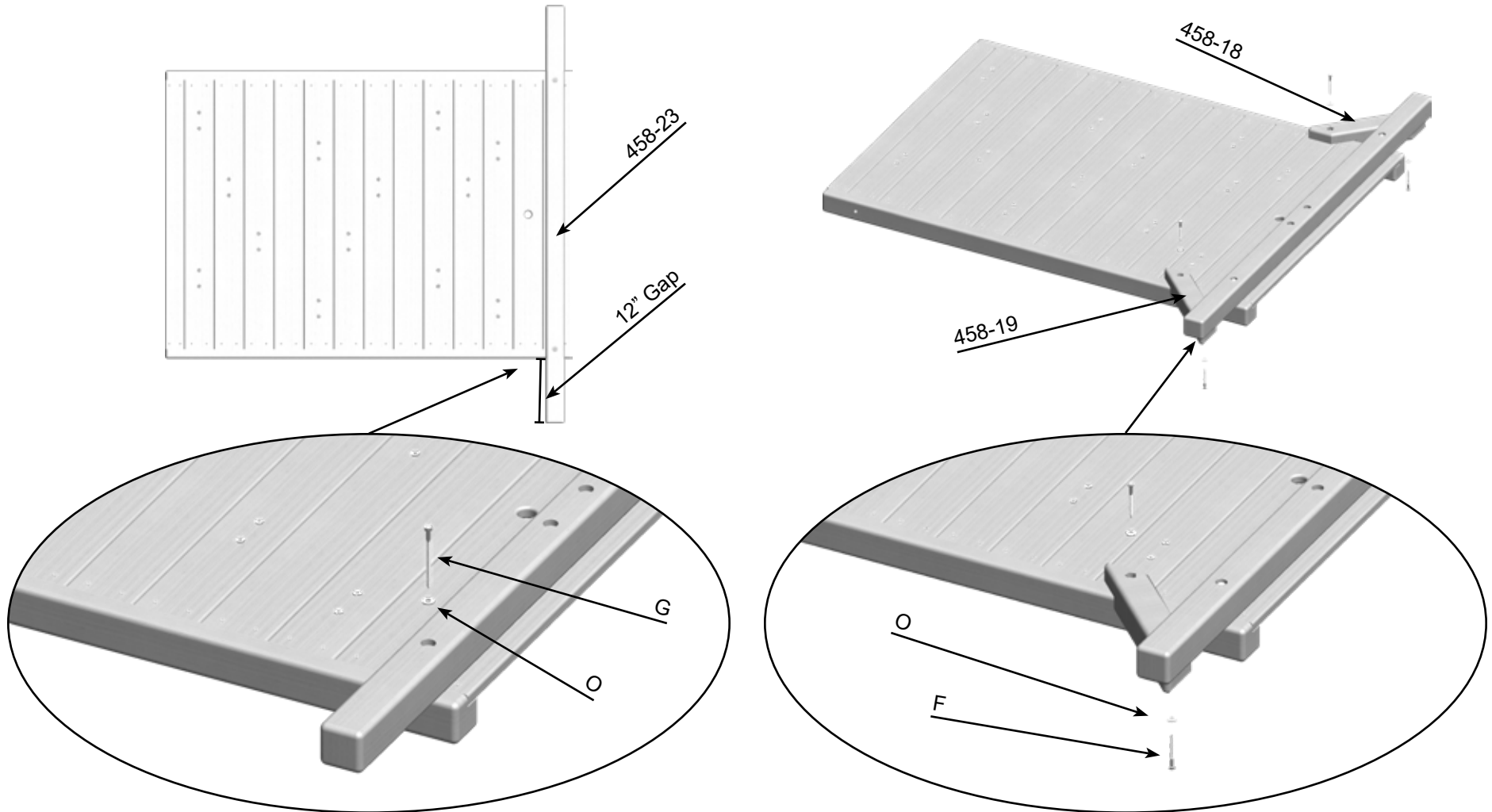
PARTS NEEDED

458-23- Ground Runner-	(1)
458-18- Left Gusset Bracket-	(1)
458-19- Right Gusset Bracket-	(1)

HARDWARE NEEDED

G- 3/8" x 5" Hex Lag Screw-	(2)
O- 3/8" USS Flatwasher-	(6)
F- 3/8" x 3 1/2" Hex Lag Screw-	(4)

Rockwall Assembly



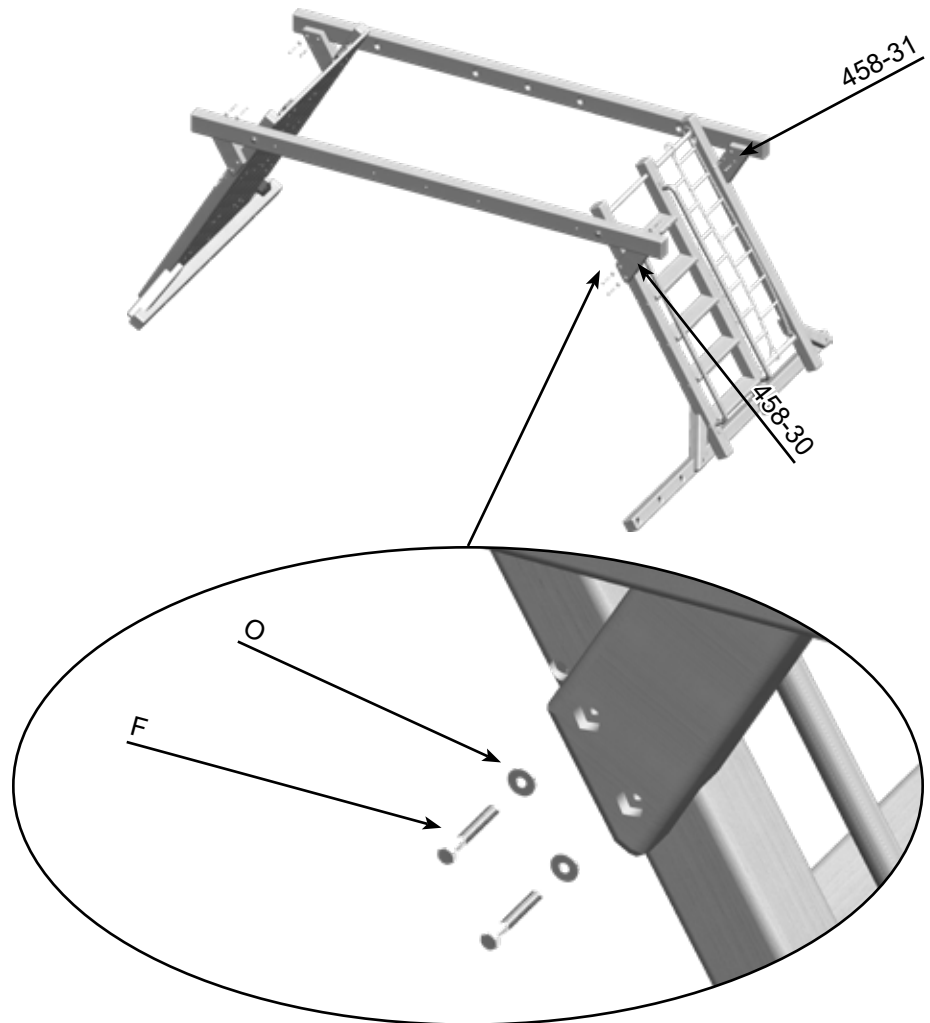
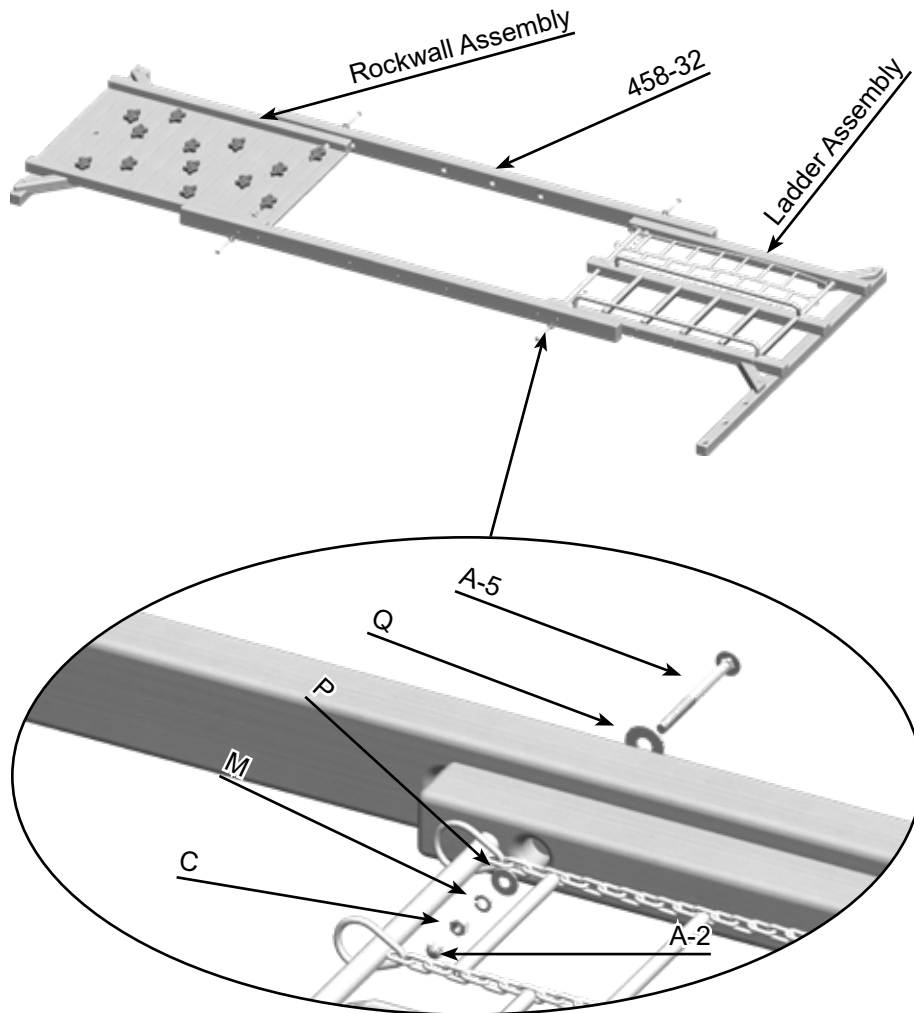
7.4 Jaguar Playcenter MegaSized Installation

PARTS NEEDED

Rockwall Assembly-	(1)
Ladder Assembly-	(1)
458-32- Playcenter Mainbeam-	(2)
458-31- Right Gusset-	(2)
458-30- Left Gusset-	(2)

HARDWARE NEEDED

A-5- 1/2" x 7" Carriage Bolt-	(4)	Q- 3/4" USS Flatwasher-	(4)
P- 1/2" USS Flatwasher-	(4)	M- 1/2" Split Lockwasher-	(4)
C- 1/2" Hex Nut-	(4)	A-2- 1/2" Acorn Nut Plated-	(4)
F- 3/8" x 3 1/2" Hex Lag Screw-	(16)	O- 3/8" USS Flatwasher-	(16)



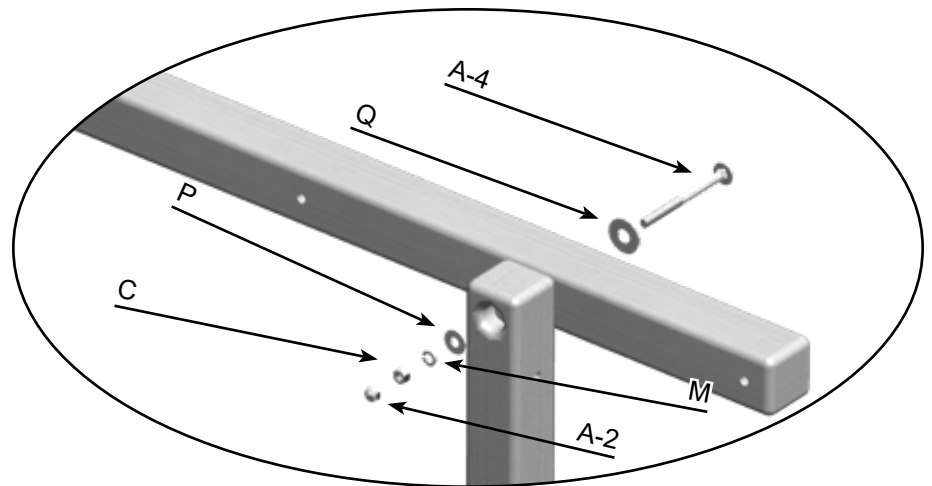
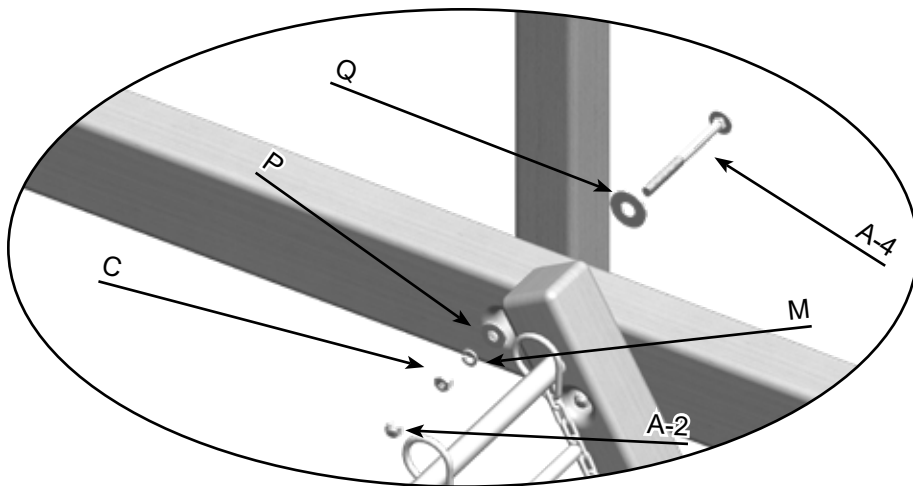
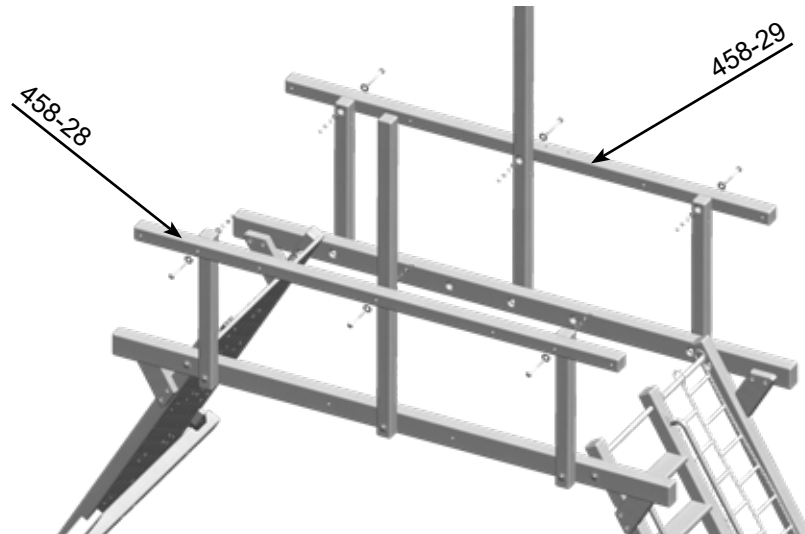
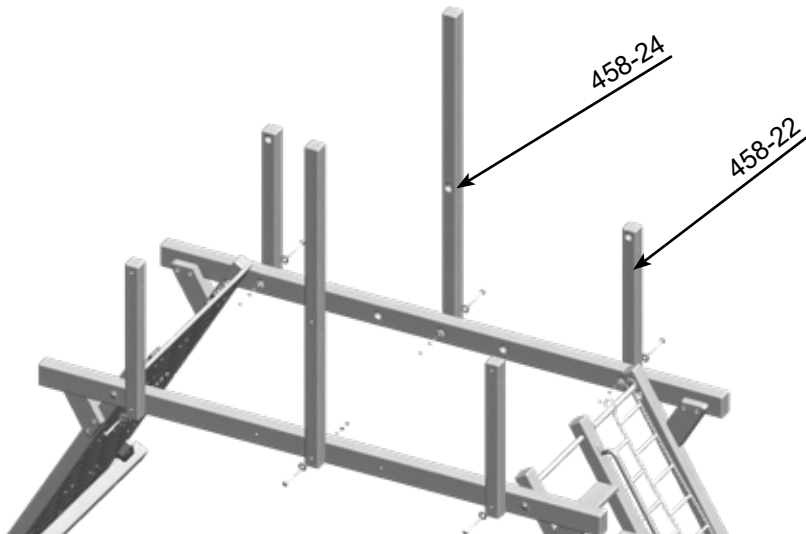
7.4 Jaguar Playcenter MegaSized Installation

PARTS NEEDED

458-24- Center Post- (2)
 458-22- Corner Post- (4)
 458-28- Top Joist- (1)
 458-29- Top Joist SB- (1)

HARDWARE NEEDED

A-4- 1/2" x 6 1/2" Carriage Bolt- (12)
 P- 1/2" USS Flatwasher- (12)
 C- 1/2" Hex Nut- (12)
 Q- 3/4" USS Flatwasher- (12)
 M- 1/2" Split Lockwasher- (12)
 A-2- 1/2" Acorn Nut Plated- (12)



7.4 Jaguar Playcenter MegaSized Installation

PARTS NEEDED

(For Cabin Install See Cabin Insert)

458-14- Deck Board- Slim-	(6)
458-16- Deck Board- Wide-	(12)
458-11- Universal Deck Runner-	(6)
458-15- Universal Deck Support-	(3)

HARDWARE NEEDED

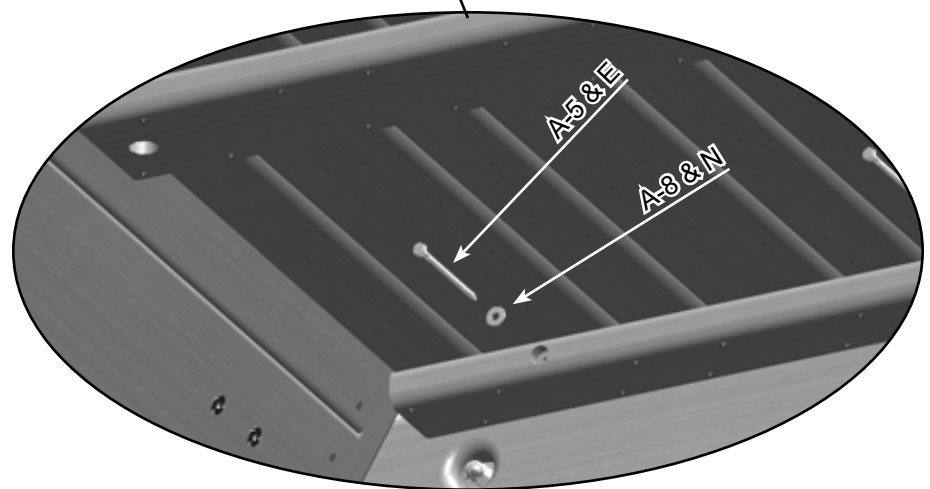
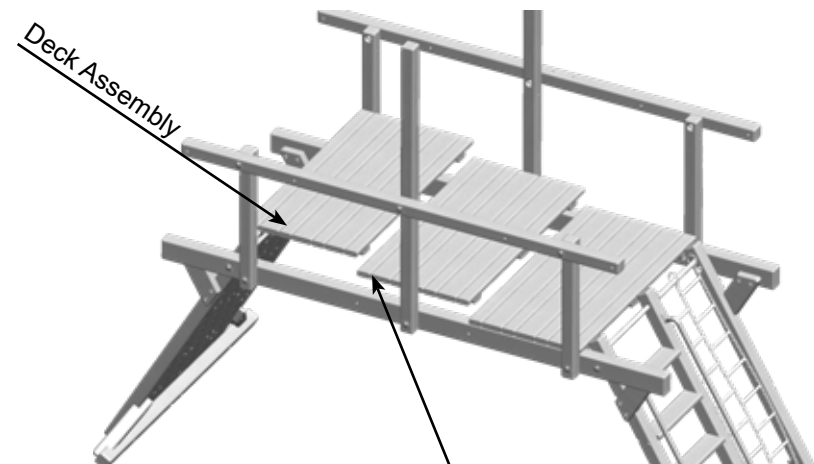
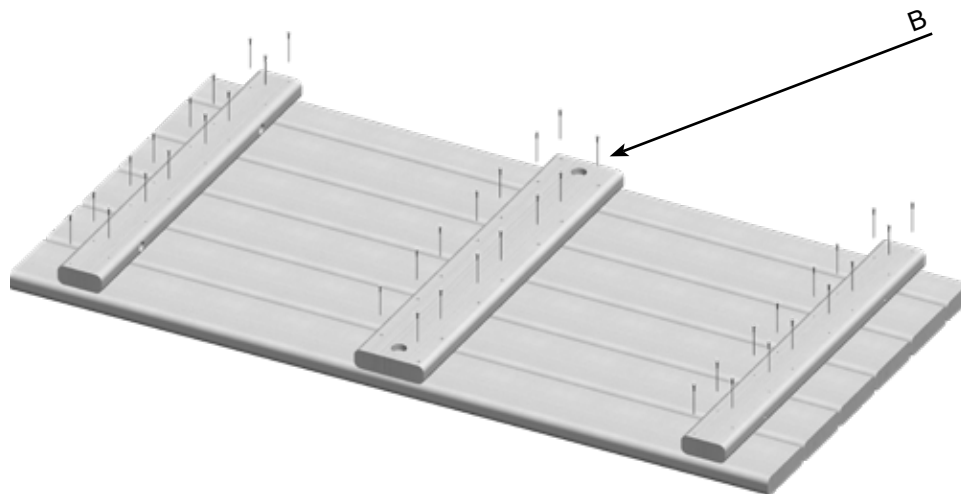
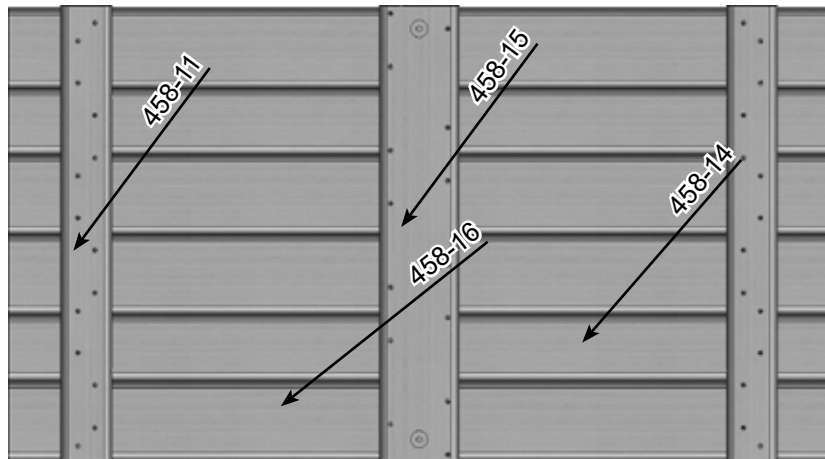
FROM MEGA HARDWARE

B- 2 1/2" Coated Deck Screw-	(42)	A-5- 1/4" x 4 1/2" Hex Lag Screw-	(4)
A-8- 1/4" USS Flatwasher-	(4)		

FROM 7.4 HARDWARE

B- 2 1/2" Coated Deck Screw-	(84)	E- 1/4" x 4 1/2" Hex Lag Screw-	(8)
N- 1/4" USS Flatwasher-	(8)		

Make 3 of these Assemblies



7.4 Jaguar Playcenter MegaSized Installation

PARTS NEEDED

- 458-25- Upper Rope Arm- (1)
- 458-26- Trapeze Arm- (1)
- 458-21- Mid Rail Post- (3)

FROM MEGA HARDWARE

- A-2- 1/2" x 6 1/2" Carriage Bolt-
- A-10- 1/2" USS Flatwasher-
- A-3- 1/2" Hex Nut-
- A-6- 3/8" x 5" Hex Lag Screw-

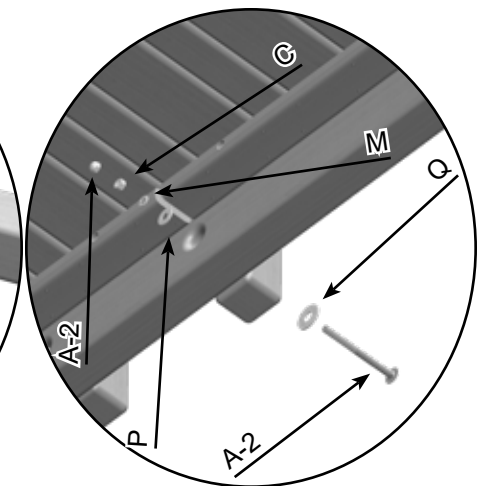
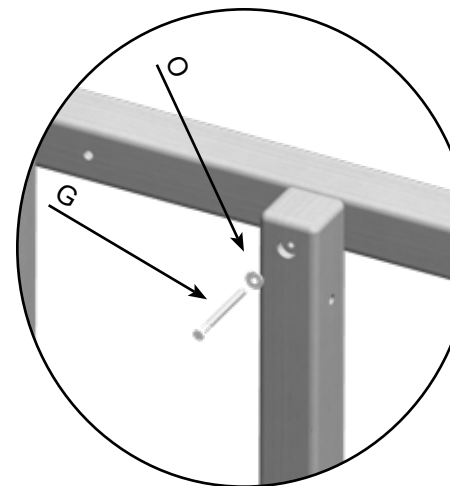
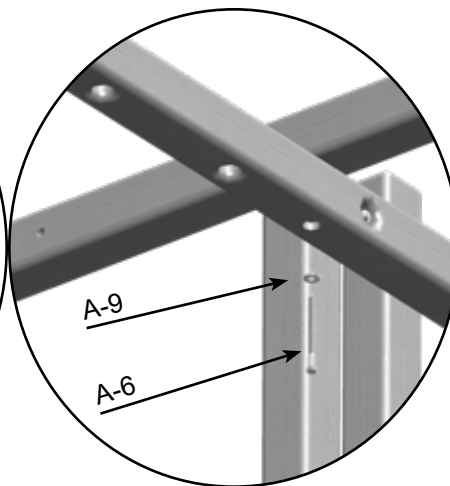
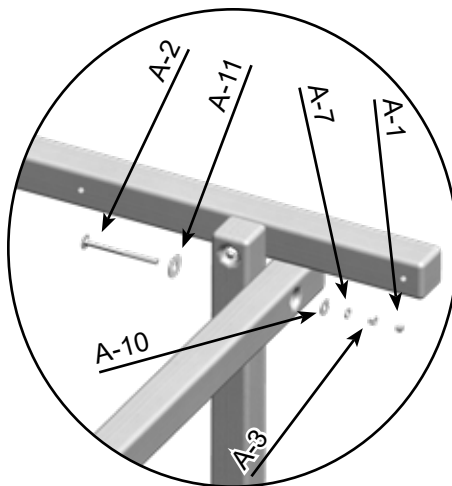
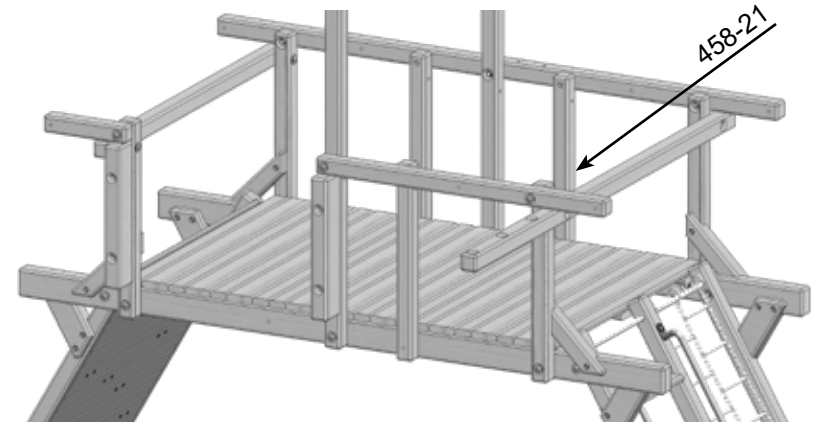
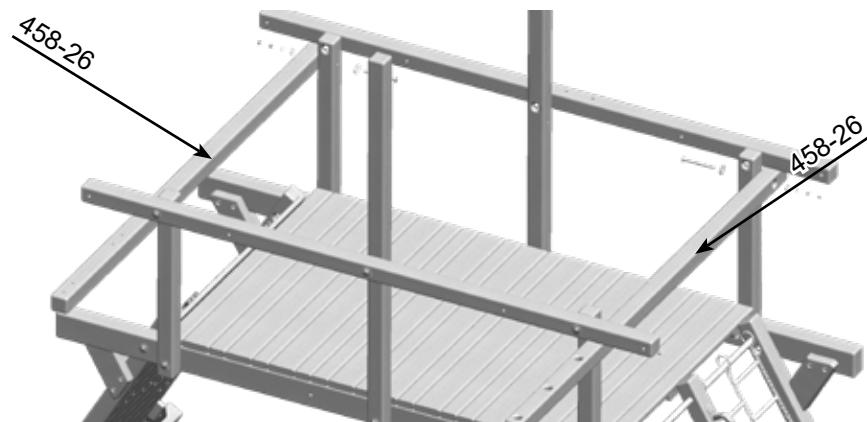
FROM 7.4 HARDWARE

- A-4- 1/2" x 6 1/2" Carriage Bolt-
- P- 1/2" USS Flatwasher-
- C- 1/2" Hex Nut-
- G- 3/8" x 5" Hex Lag Screw-

HARDWARE NEEDED

(For Cabin Install See Cabin Insert)

- | | | |
|-----|-----------------------------|-----|
| (3) | A-11- 3/4" USS Flatwasher- | (3) |
| (3) | A-7- 1/2" Split Lockwasher- | (3) |
| (3) | A-1- 1/2" Acorn Nut Plated- | (3) |
| (3) | A-9- 3/8" USS Flatwasher- | (3) |
| (4) | Q- 3/4" USS Flatwasher- | (4) |
| (4) | M- 1/2" Split Lockwasher- | (4) |
| (4) | A-2- 1/2" Acorn Nut Plated- | (4) |
| (4) | O- 3/8" USS Flatwasher- | (4) |



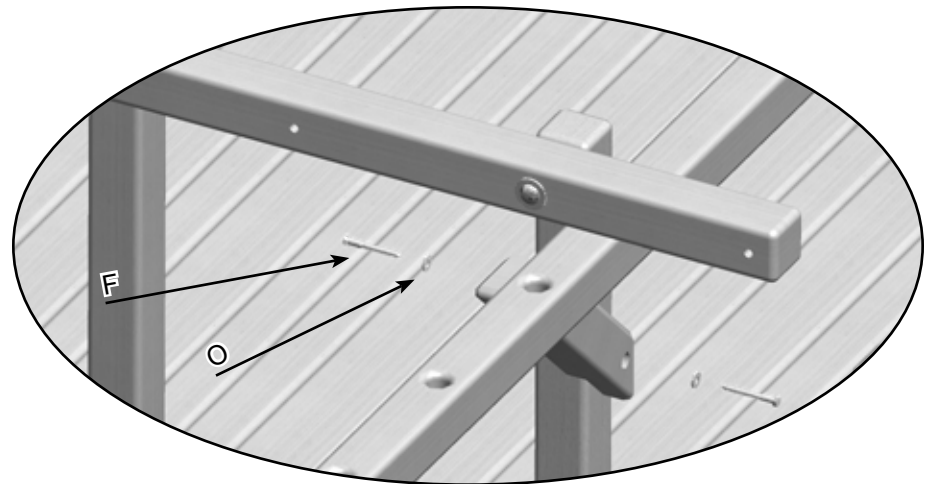
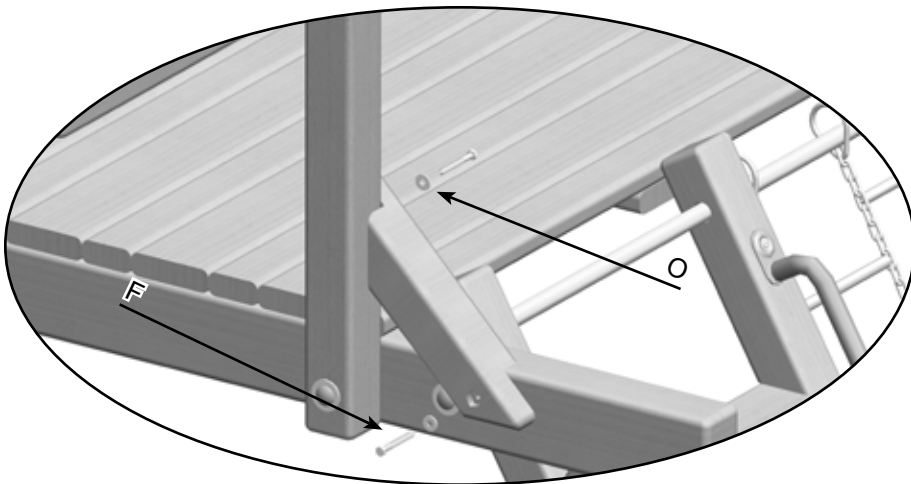
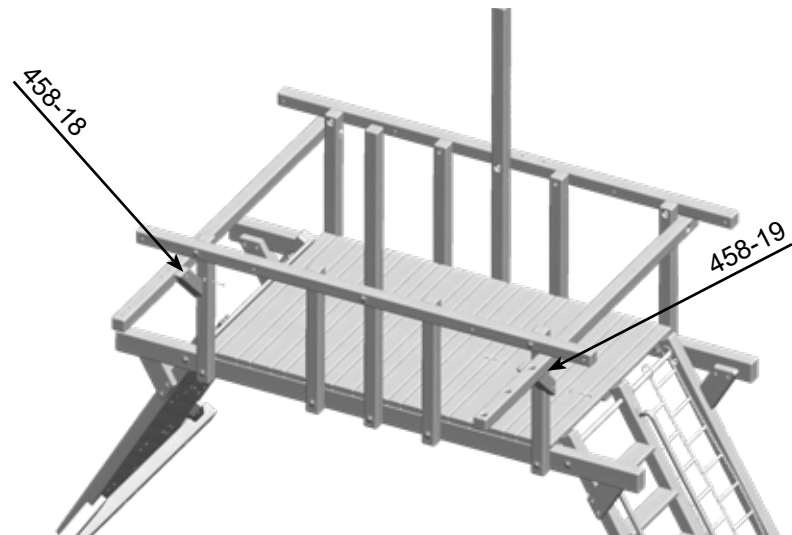
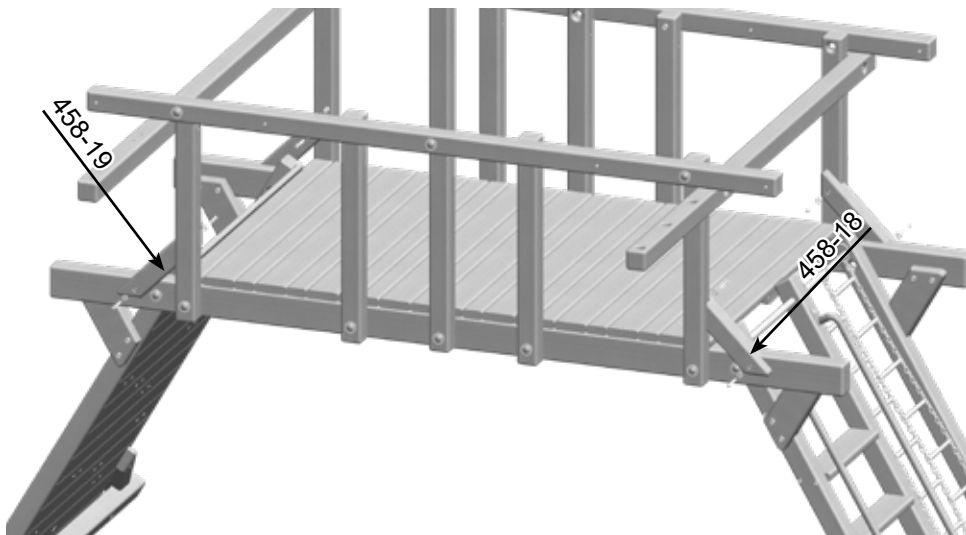
7.4 Jaguar Playcenter MegaSized Installation

PARTS NEEDED

- 458-18- Left Gusset Bracket- (3)
- 458-19- Right Gusset Bracket- (3)

HARDWARE NEEDED

- F- 3/8" x 3 1/2" Hex Lag Screw- (12)
- O- 3/8" USS Flatwasher- (12)



7.4 Jaguar Playcenter MegaSized Installation

PARTS NEEDED

- 458-7- Mega Rail Bottom- (4)
- 458-8- Universal Rail Bottom- (3)

FROM MEGA HARDWARE

- A-4- 1/4" x 3" Hex Lag Screw- (8)

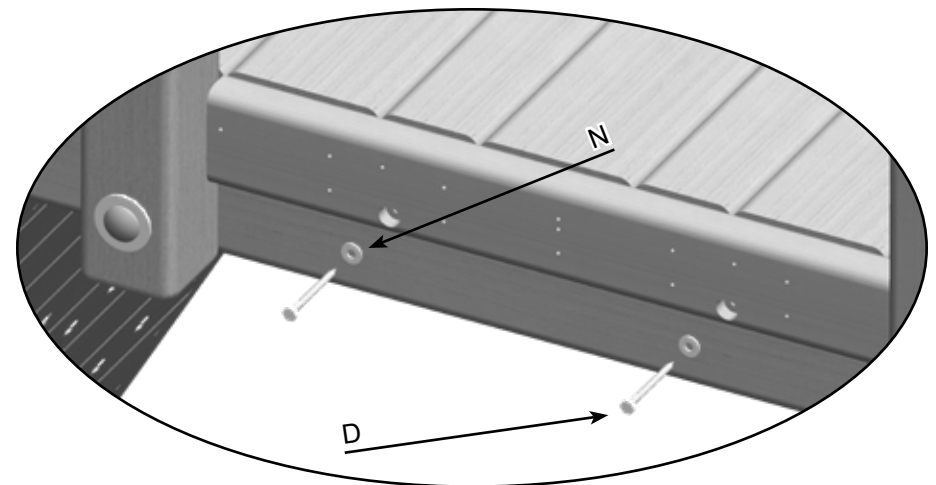
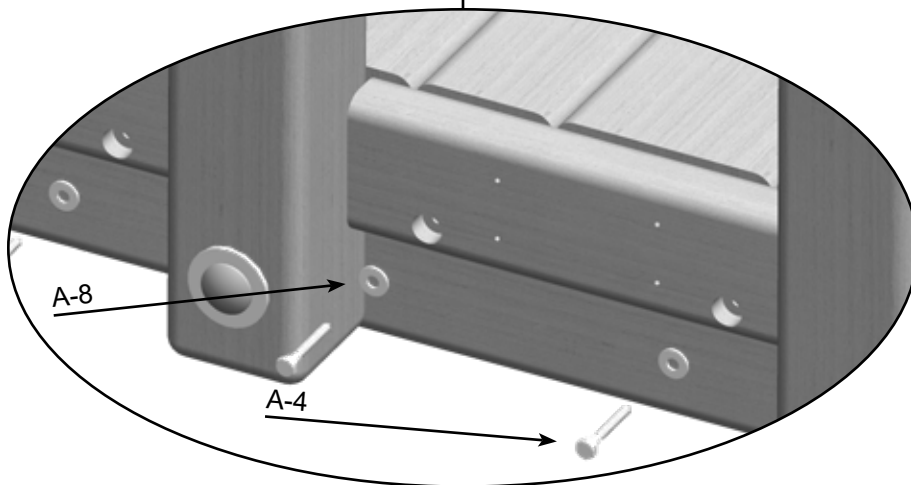
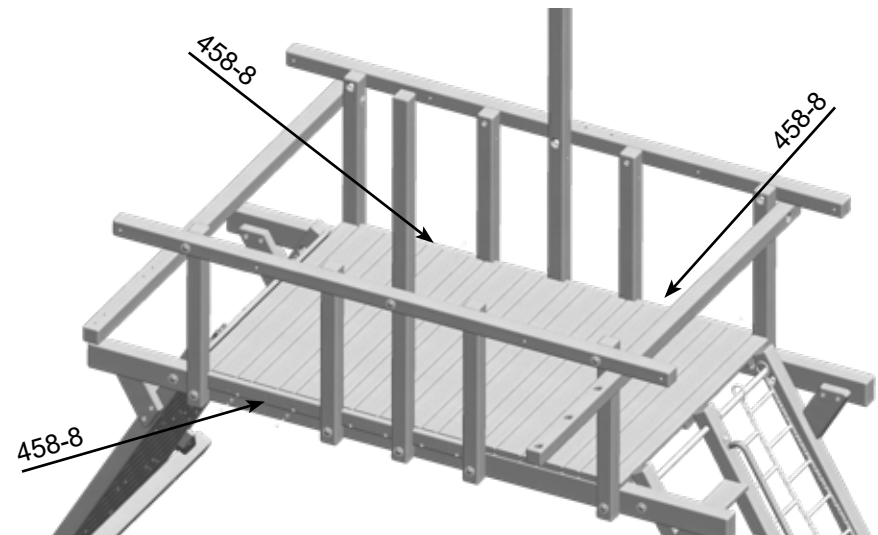
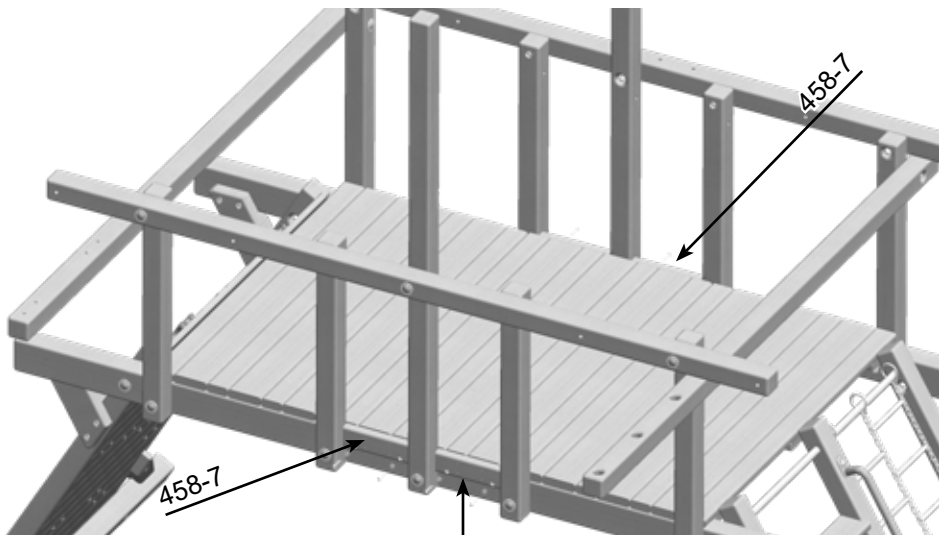
7.4 HARDWARE

- D- 1/4" x 3" Hex Lag Screw- (6)

HARDWARE NEEDED

- A-8- 1/4" USS Flatwasher- (8)

- N- 1/4" USS Flatwasher- (6)



7.4 Jaguar Playcenter MegaSized Installation

PARTS NEEDED

458-6- Mid Rail Top-	(4)
458-7- Mid Rail Bottom-	(4)
458-5- Rail Spindle-	(23)
458-9- Rail Top-	(3)
458-8- Rail Bottom-	(3)

HARDWARE NEEDED

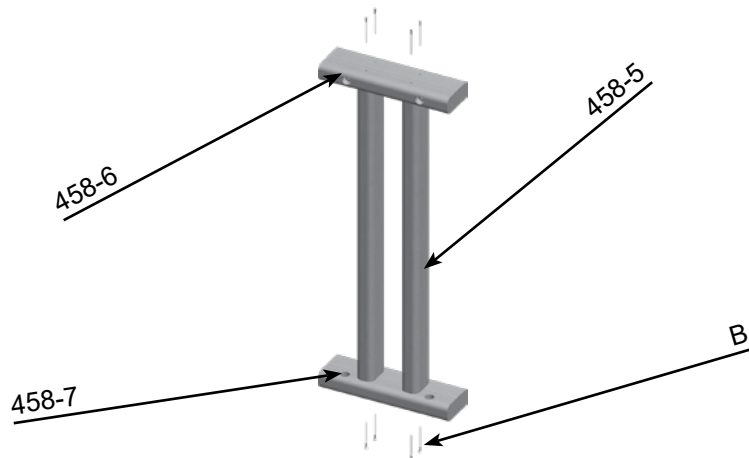
FROM MEGA HARDWARE

B- 2 1/2" Coated Deck Screw-	(32)	A-5- 1/4" x 4 1/2" Hex Lag Screw-	(8)
A-8- 1/4" USS Flatwasher-	(16)	A-4- 1/4" x 3" Hex Lag Screw-	(8)

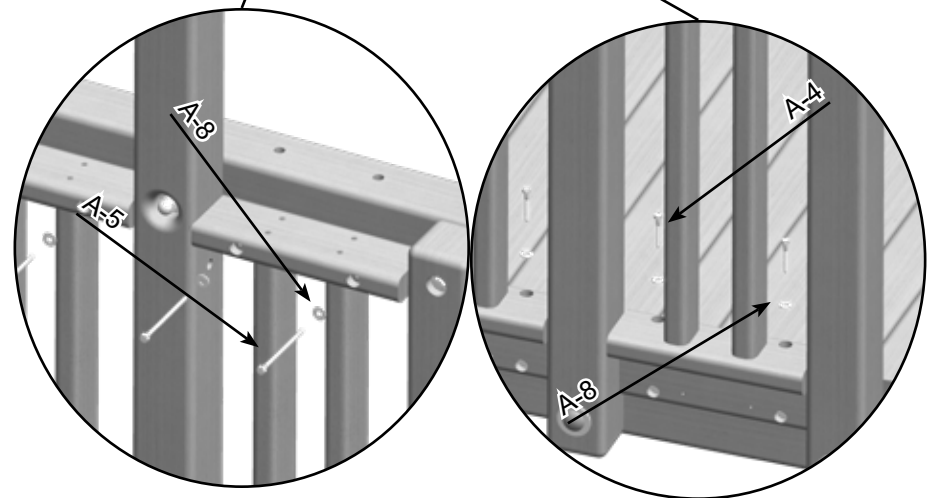
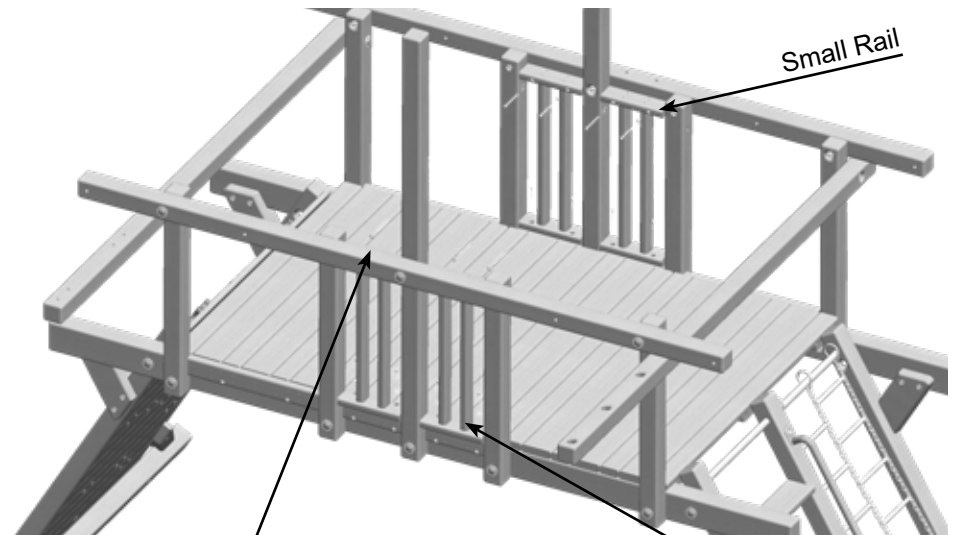
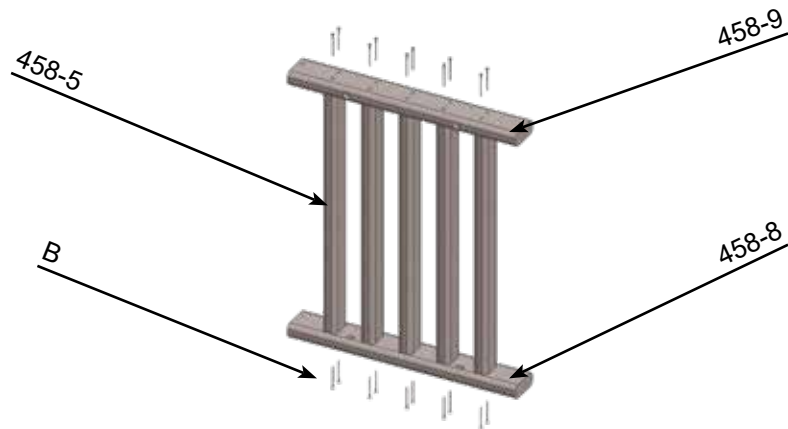
FROM 7.4 HARDWARE

B- 2 1/2" Coated Deck Screw-	(60)
------------------------------	------

Make 4 of these Assemblies



Make 3 of these Assemblies



7.4 Jaguar Playcenter MegaSized Installation

PARTS NEEDED

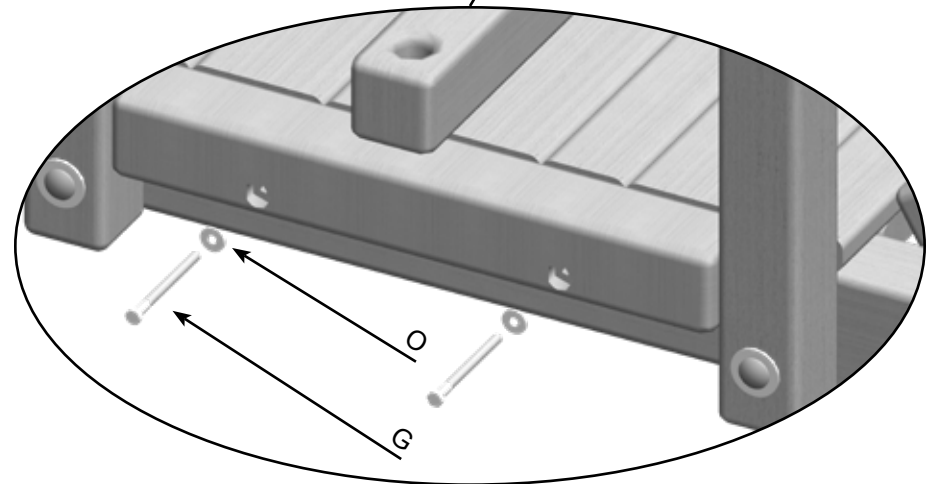
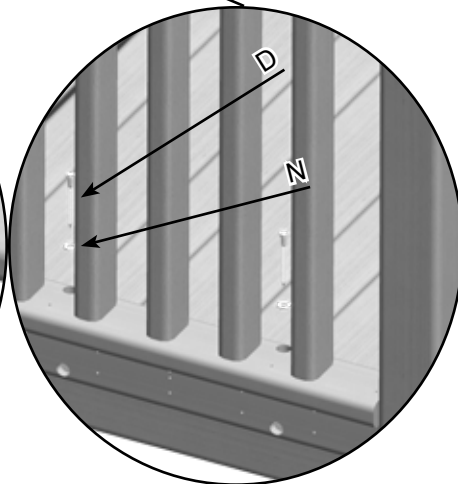
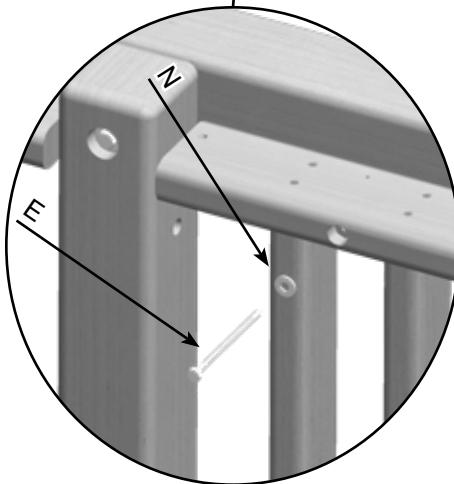
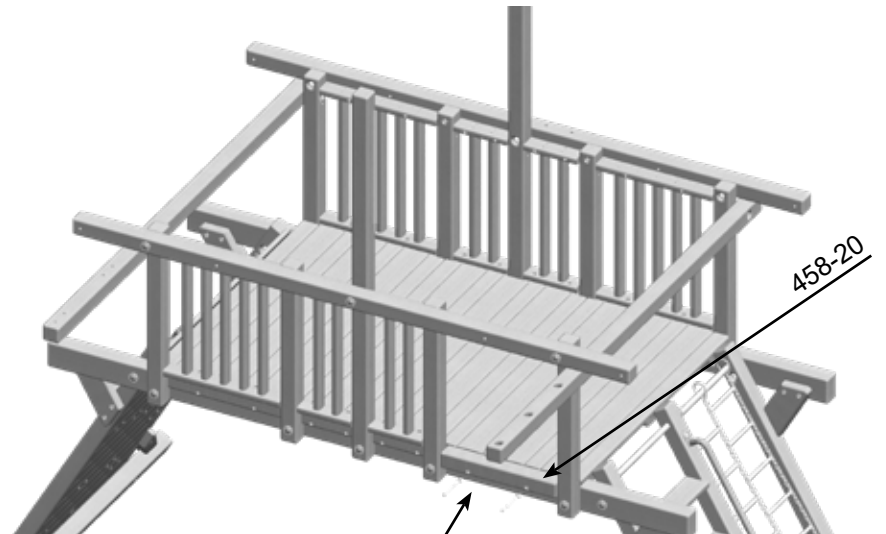
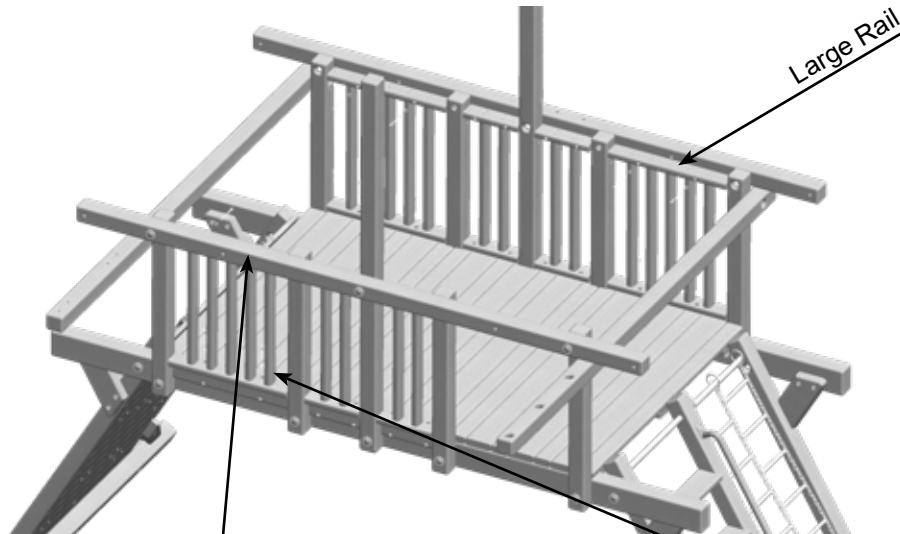
Large Rail- (3)
 458-20- Entrapment Block- (1)

FROM 7.4 HARDWARE

N- 1/4" USS Flatwasher-
 D- 1/4" x 3" Hex Lag Screw-
 G-3/8" x 5" Hex Lag Screw-

HARDWARE NEEDED

(12) E- 1/4" x 4 1/2" Hex Lag Screw- (6)
 (6) O-3/8" USS Flatwasher- (2)



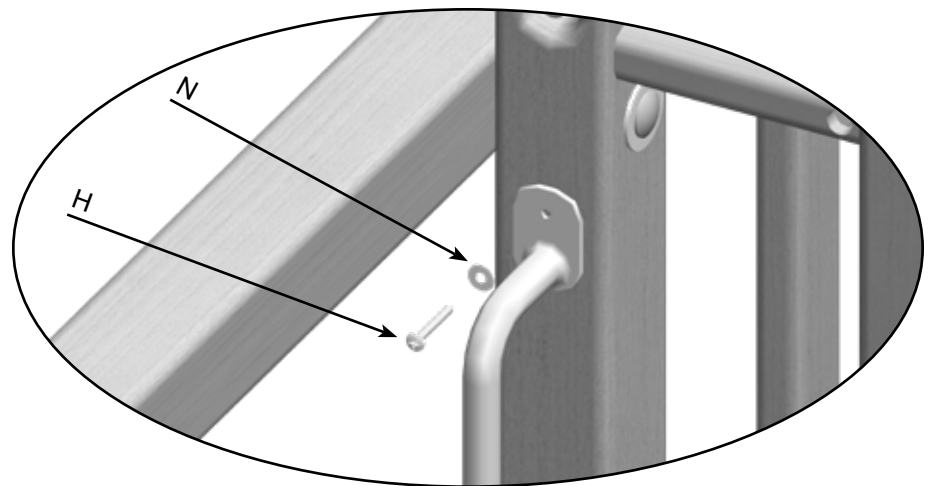
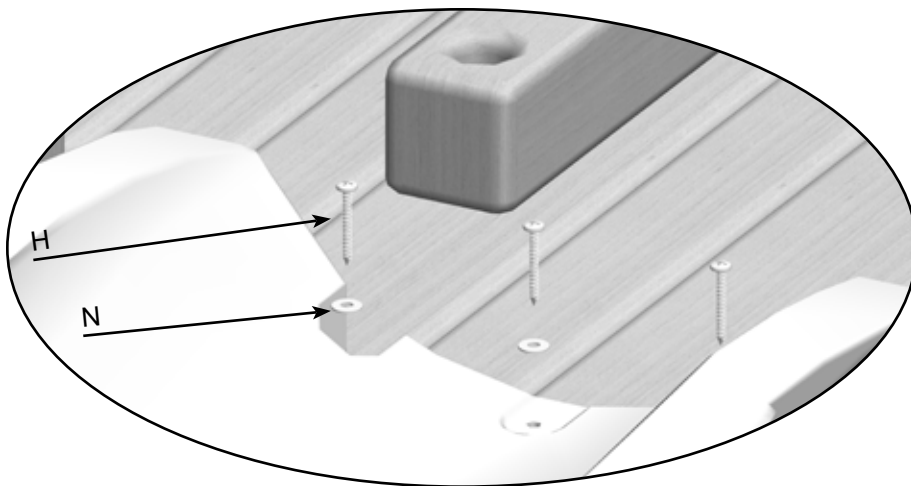
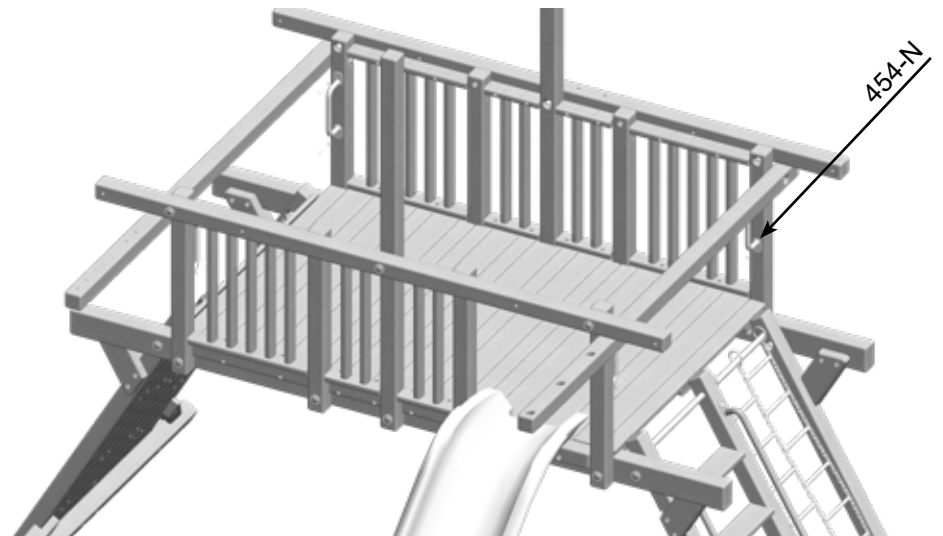
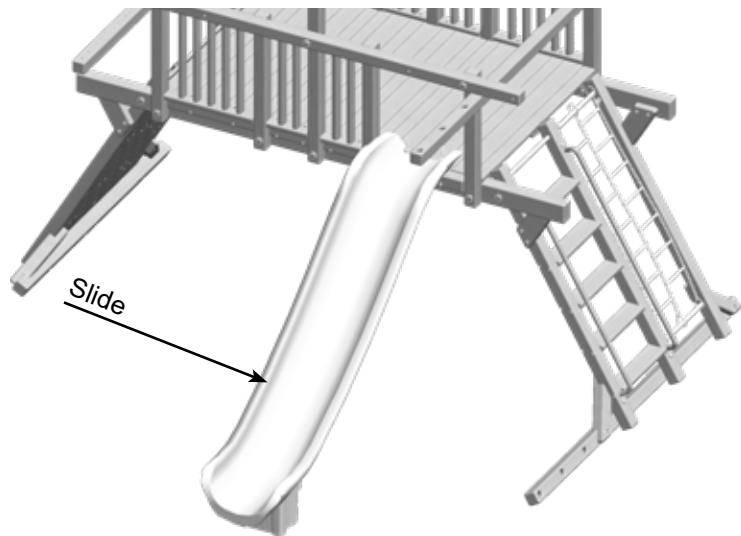
7.4 Jaguar Playcenter MegaSized Installation

PARTS NEEDED

Slide- (1)
454-N- Playgrip Safety Handle- (4)

HARDWARE NEEDED

H- #14 x 2" Pan Phillips T/S- (11)
N- 1/4" USS Flatwasher- (11)



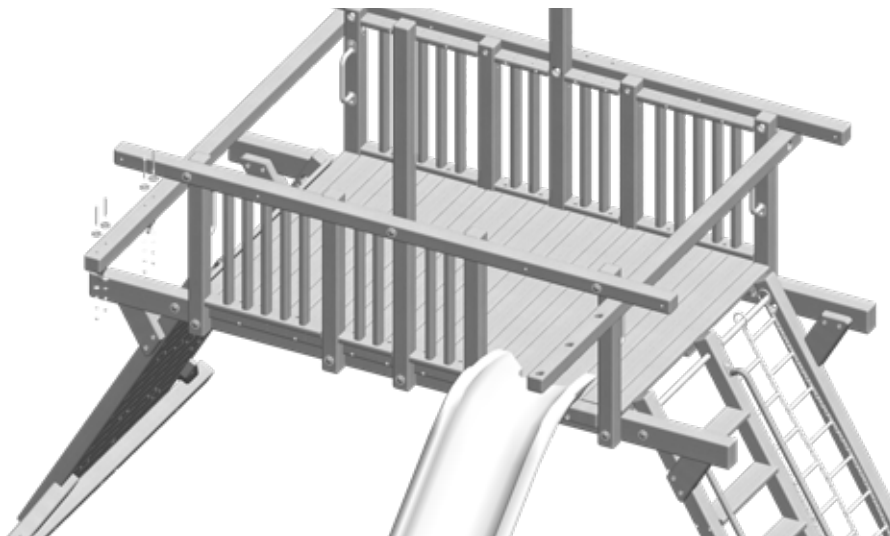
7.4 Jaguar Playcenter MegaSized Installation

PARTS NEEDED

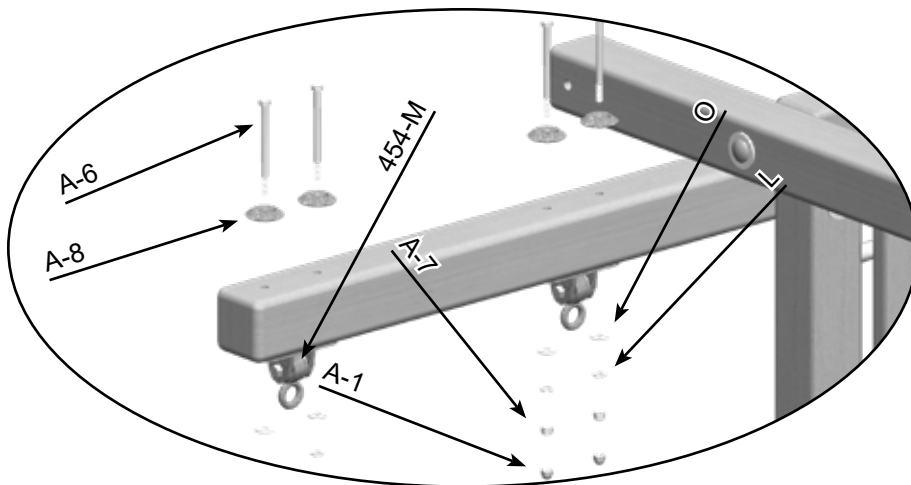
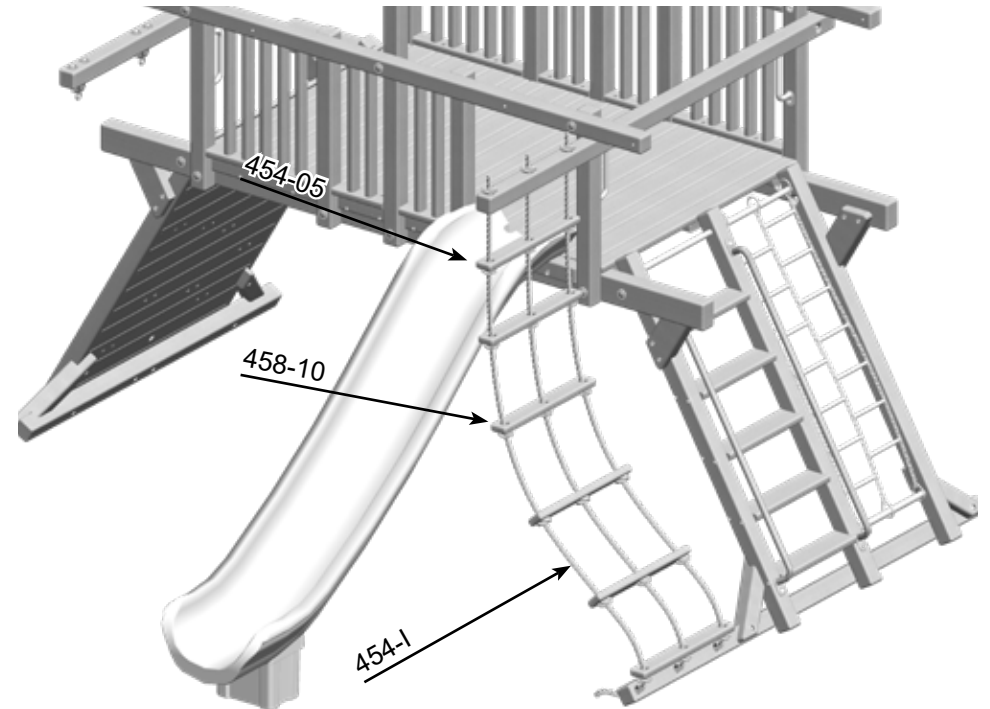
458-10- Rope Rung-	(6)
454-05- Rope Rung-	(2)
454-I- 18' Yellow Rope-	(3)
454-M- Ductile Hangers-	(2)

HARDWARE NEEDED

A-6- 3/8" x 5" Hex Bolt-	(4)
A-8- 3/8" Bolt Cup-	(4)
O- 3/8" USS Flatwasher-	(4)
L- 3/8" Split Lockwasher-	(4)
A-7- 3/8" Nylon Insert Locknut-	(4)
A-1- 3/8" Acorn Nut Plated-	(4)



PICTURE MAY VARY FROM ACTUAL ASSEMBLY FOR ROPE LADDER



Slide one end of the 454-I Yellow Rope through the Upper Rope Arm and tie a good knot. Then take a Rope Rung and slide it up about a 1 to 1 1/2 ft below the Rope Arm and tie knot holding it. Repeat for all Rope Rungs til a knot is tied on the Rope Runner.

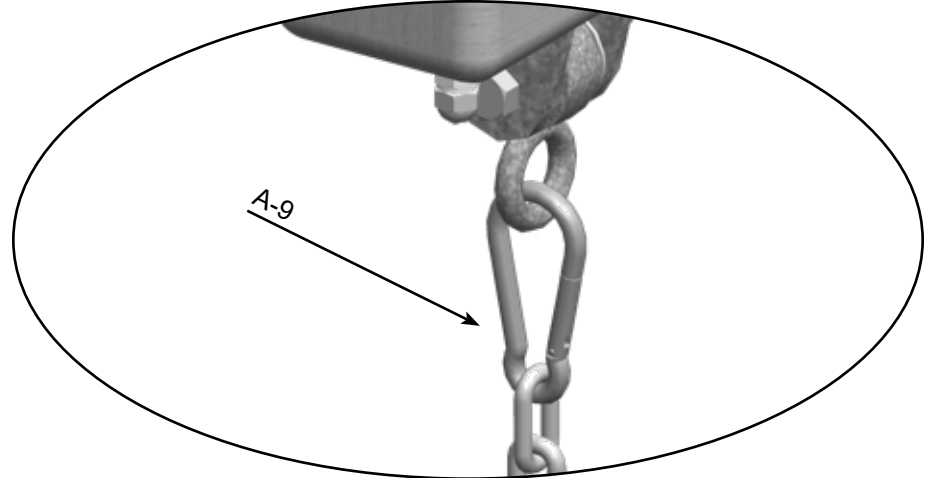
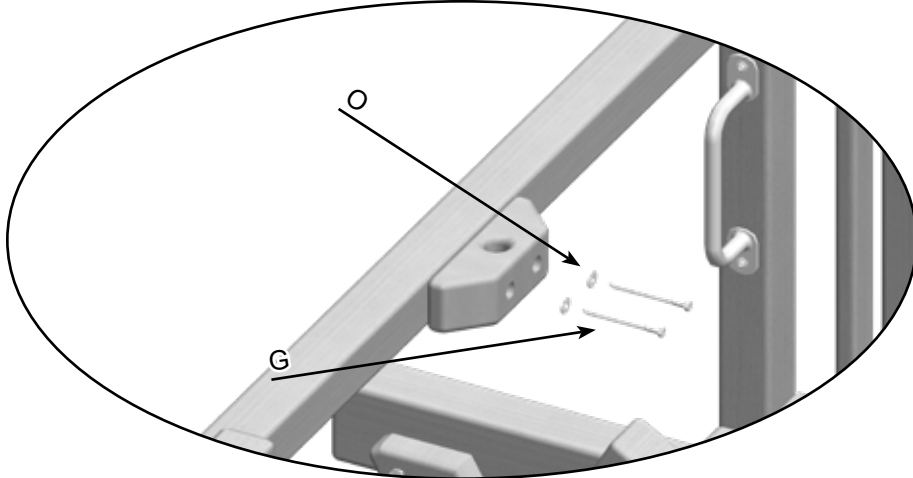
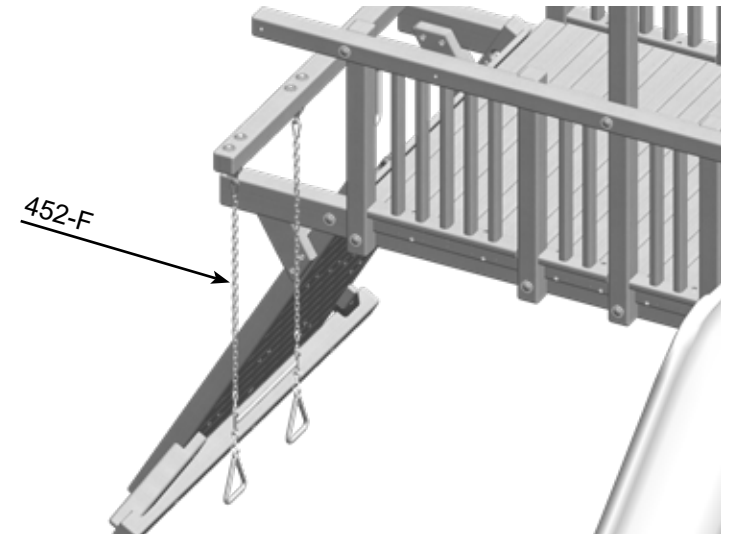
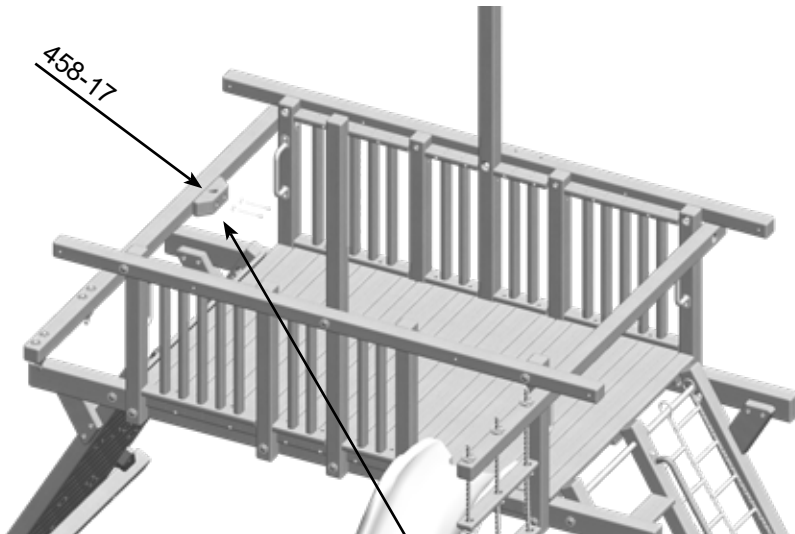
7.4 Jaguar Playcenter MegaSized Installation

PARTS NEEDED

- 458-17- Rope Block- (1)
- 452-F- 20" Trapeze Bar w/ Rings- (1)

HARDWARE NEEDED

- O- 3/8" USS Flatwasher- (2)
- G- 3/8" x 5" Hex Lag Screw- (2)
- A-9- Spring Clips 10 x 100 mm- (2)



7.4 Jaguar Playcenter MegaSized Installation

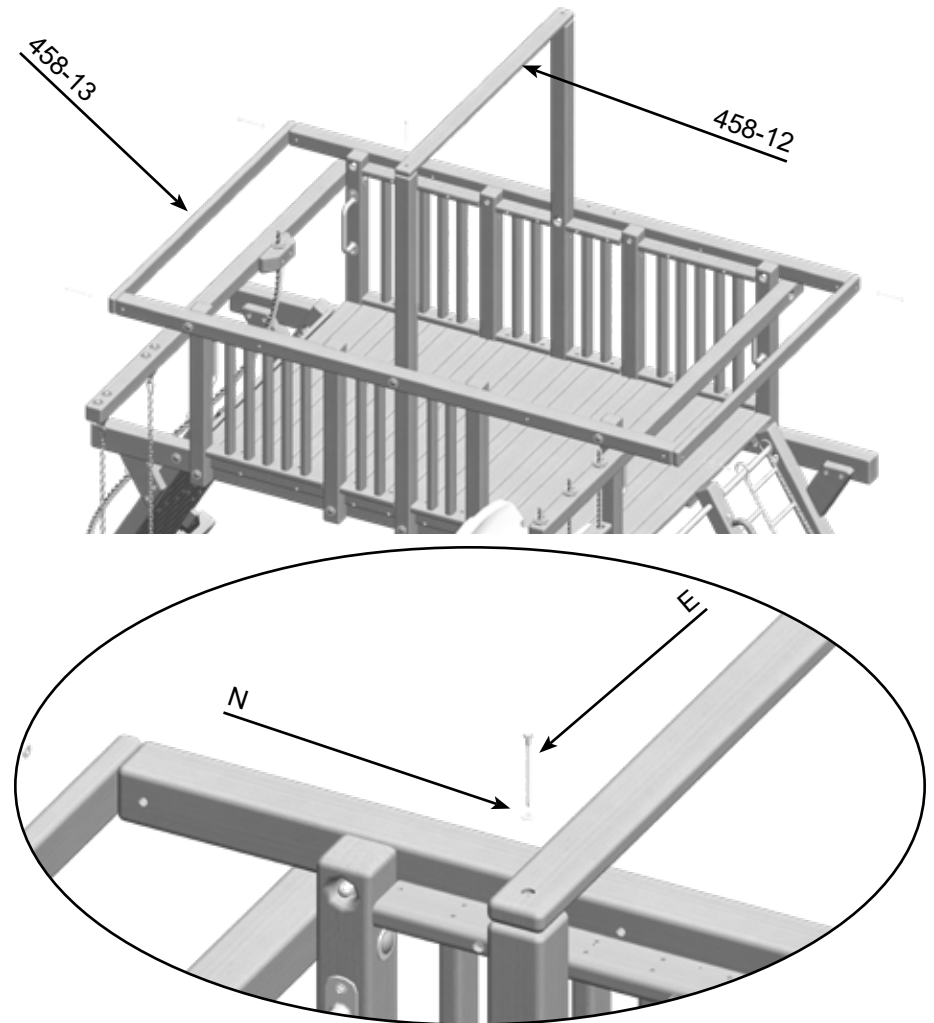
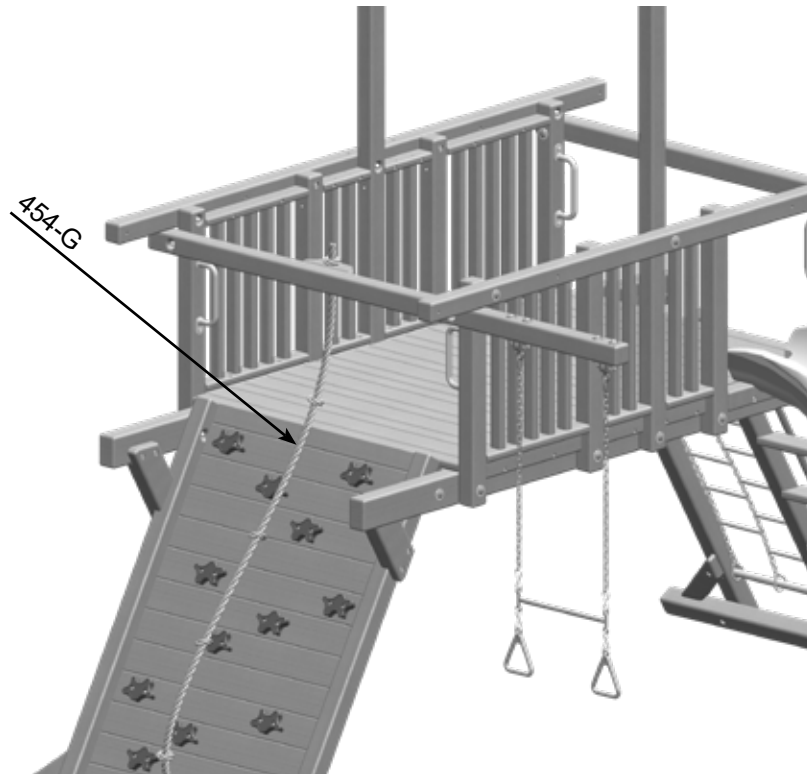
PARTS NEEDED

454-G- 16' Yellow Rope-	(1)
458-12- Center Tarp Board-	(1)
458-13- Tarp Board-	(2)

HARDWARE NEEDED

E- 1/4" x 4 1/2" Hex Lag Screw-	(6)
N- 1/4" USS Flatwasher-	(6)

(For Wood Roof Skip Tarp Install)



Slide one end the 454-G Rope through the Rope Block and tie a good knot. Then make a knot about a 1 to 1 1/2 ft below the Rope Block, Repeat until you can slip the rope through the rockwall and tie another knot securing the rope.

7.4 Jaguar Playcenter MegaSized Installation

PARTS NEEDED

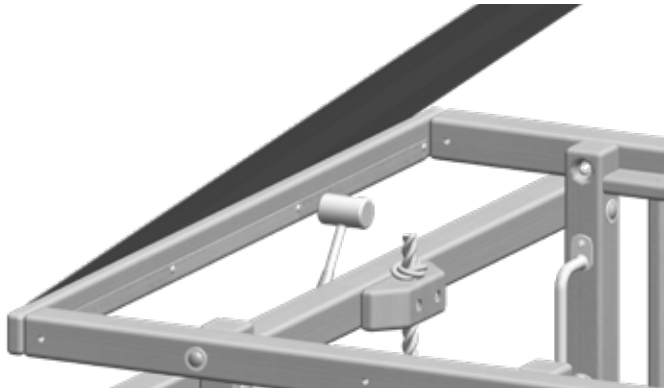
Unit Tarp-

(1)

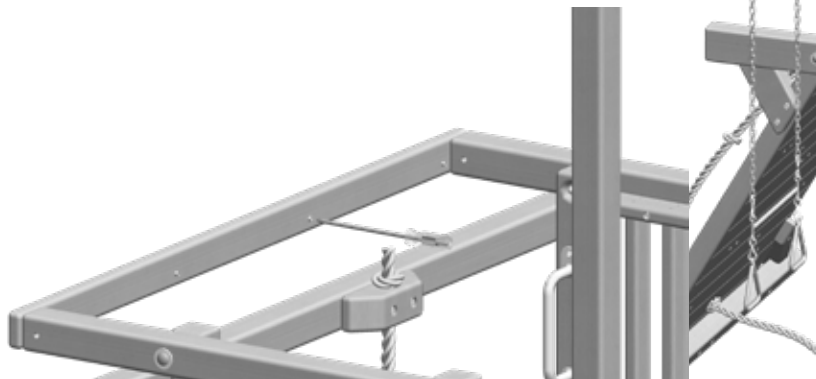
HARDWARE NEEDED

R- 5/8" Phillips Screw Snap-

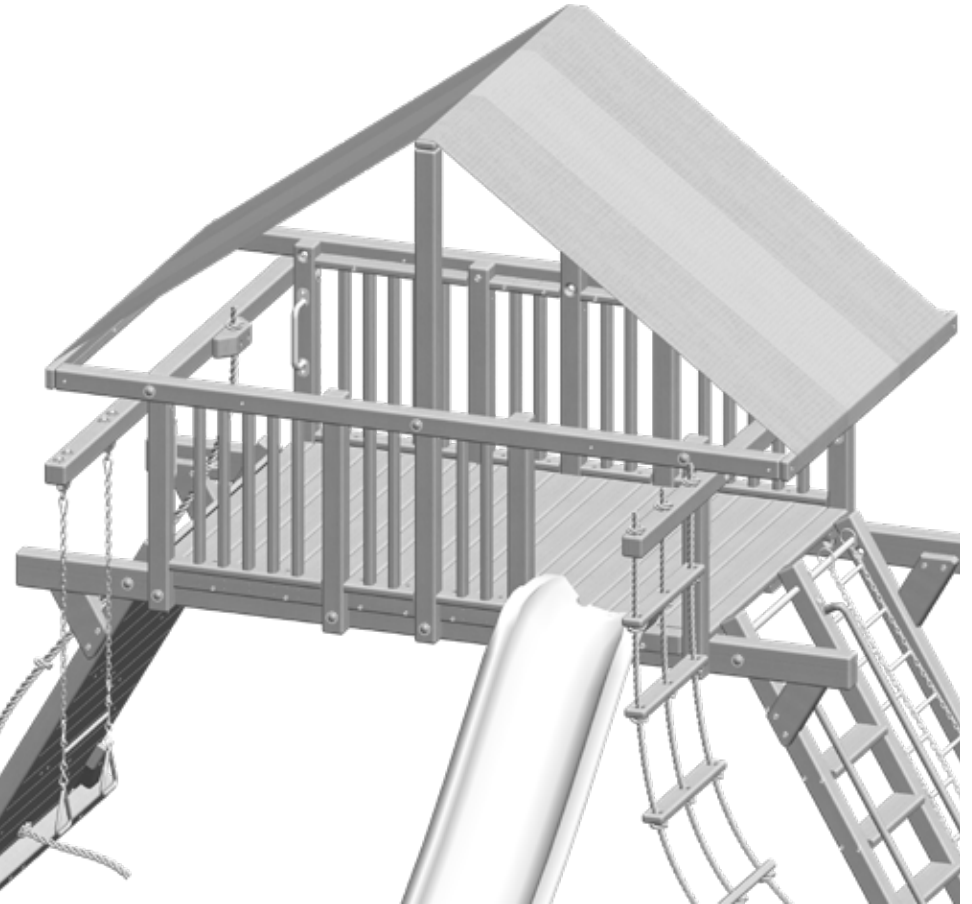
(8)



Take one corner of the VINYL TARP and place it flush in the corner. Tap the snap with a blunt object, leaving an indentation of the snap in the wood. Repeat this process until all the snaps have been indented in the wood on both sides of the Playcenter.



Using the indentions you just made with the snaps, take the 5/8" PHILLIPS SCREW SNAPS and drill one into each indention.

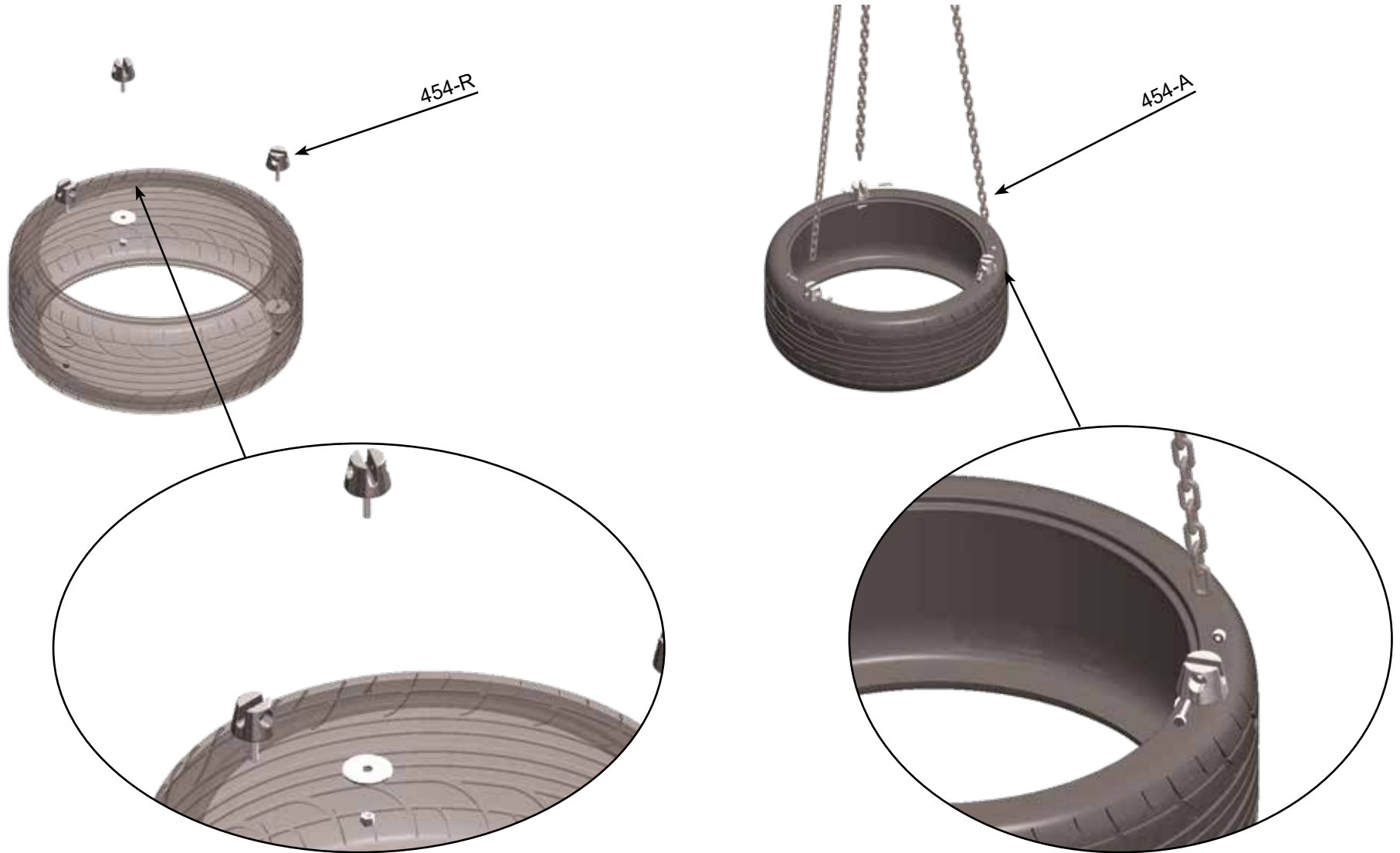


Snap Tarp to the 5/8" Phillips Screw Snaps

7.4 Jaguar Playcenter MegaSized Installation

PARTS NEEDED

- 454-R- Tire Eye Bolts- (3)
- 454-A- 60" Plastisol Coated Chain- (3)



7.4 Jaguar Playcenter MegaSized Installation

PARTS NEEDED

454-B- Tire Swivel-

(1)

HARDWARE NEEDED

A-3- 1/2" x 4 1/2" Carriage Bolt- (2)

Q- 3/4" USS Flatwasher- (2)

P- 1/2" USS Flatwasher- (2)

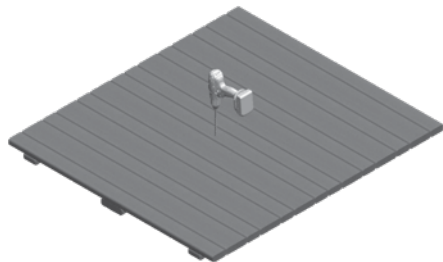
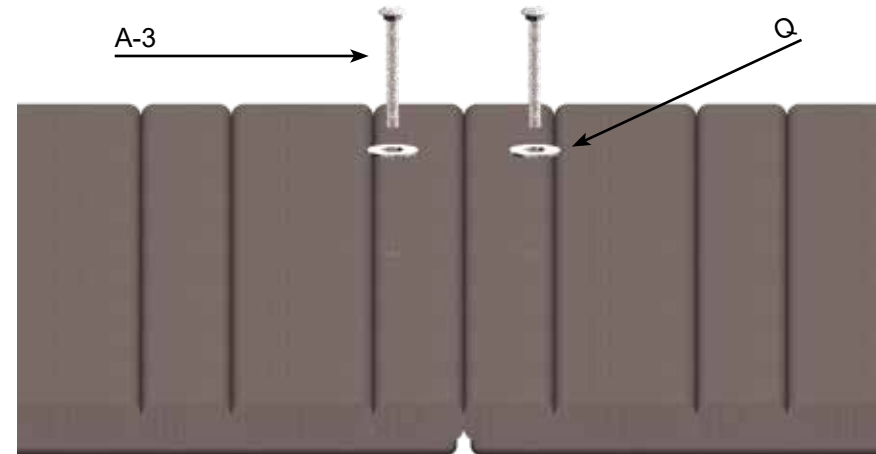
M- 1/2" Split Lockwasher- (2)

C- 1/2" Hex Nut- (2)

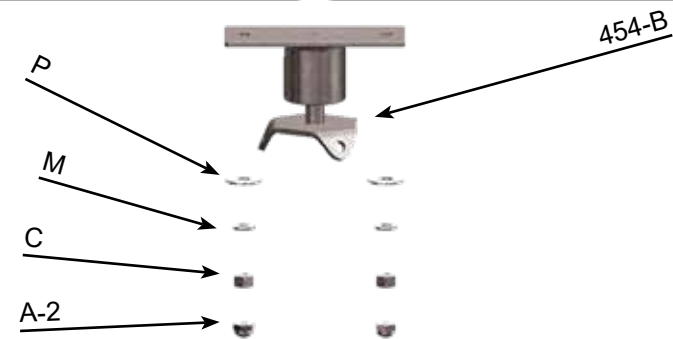
A-2- 1/2" Acorn Nut Plated- (2)



Using a pencil or pen mark the holes in the center of the deck.



Drill Marked Holes from previous step using a 9/16" bit.



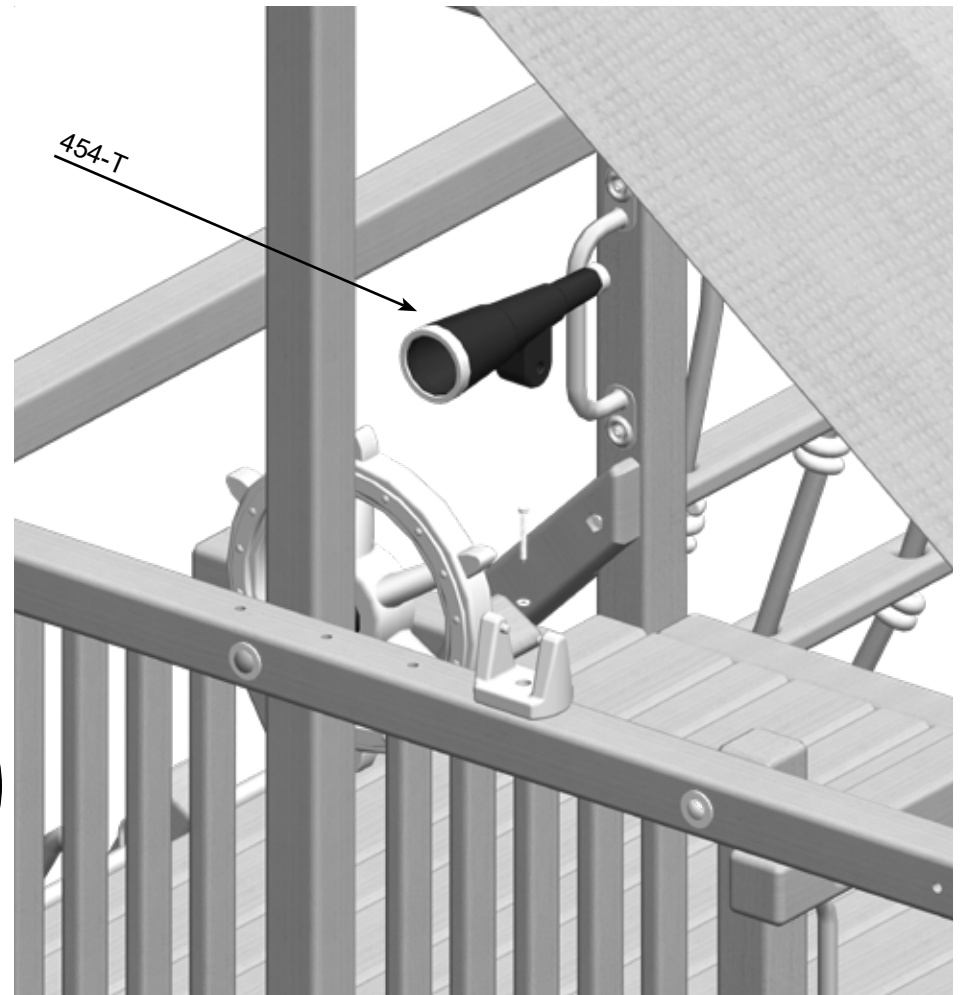
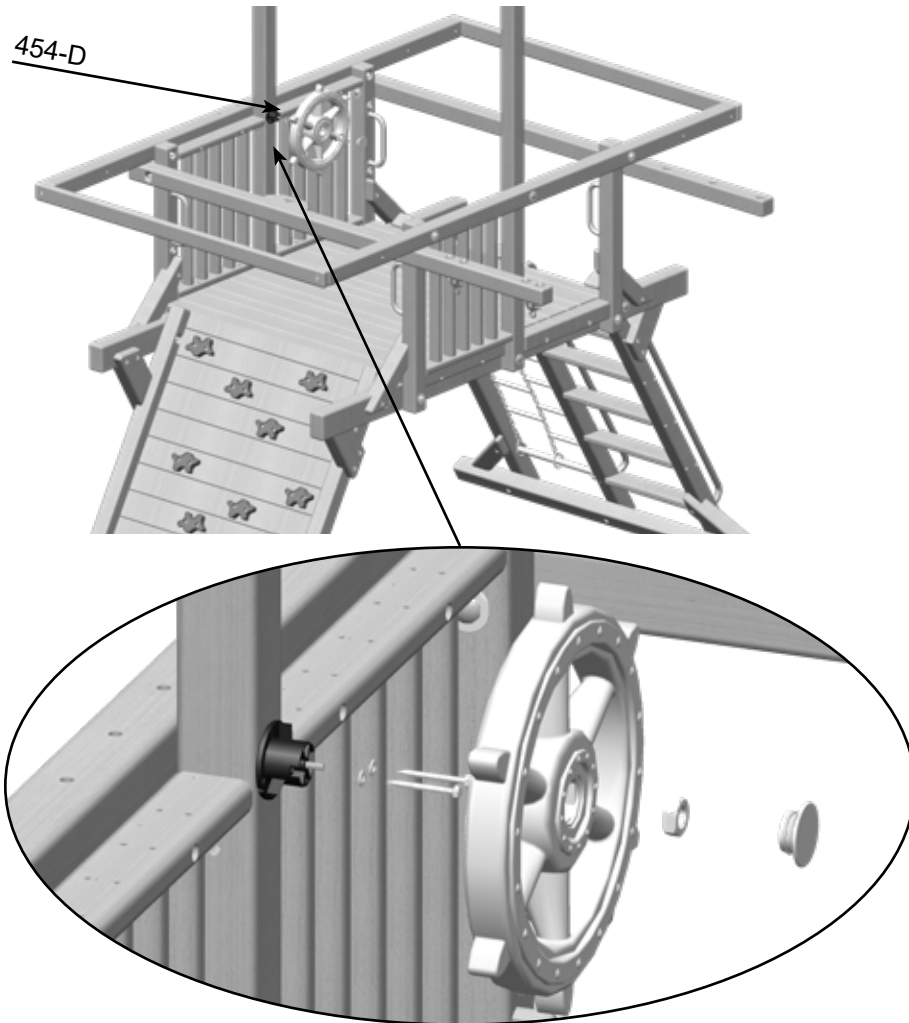
7.4 Jaguar Playcenter MegaSized Installation

PARTS NEEDED

- 454-T- Telescope- (1)
- 454-D- 19" Ship's Wheel- (1)

HARDWARE NEEDED

Hardware w/ Accessories



7.4 Jaguar Playcenter MegaSized Installation

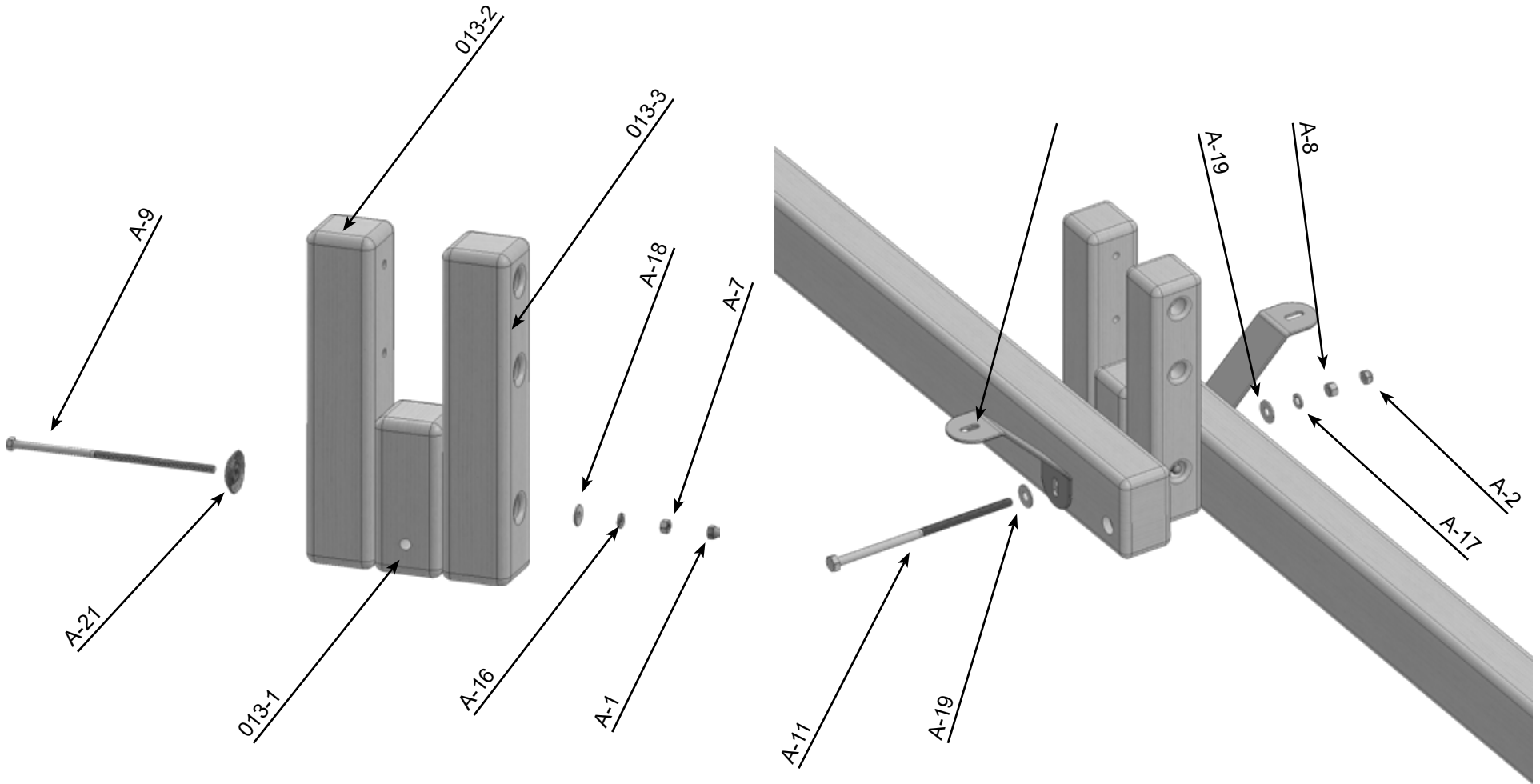
PARTS NEEDED

- 013-01- Center A-Frame Block- (1)
- 013-02- A- Frame Block- (1)
- 013-03- A-Frame Block Sunked- (1)
- 013-06- A- Frame Leg- (2)

- A-9- 3/8" x 10" Hex Bolt- (1)
- A-18- 3/8" USS Flatwasher- (1)
- A-7- 3/8" Hex Nut- (1)
- A-11- 1/2" x 11 1/2" Hex Bolt- (1)
- A-17- 1/2" Split Lockwasher- (1)
- A-2- 1/2" Acorn Nut Plated- (1)

HARDWARE NEEDED

- A-21- 3/8" Bolt Cup- (1)
- A-16- 3/8" Split Lockwasher- (1)
- A-1- 3/8" Acorn Nut Plated- (1)
- A-19- 1/2" USS Flatwasher- (1)
- A-8- 1/2" Hex Nut- (1)



7.4 Jaguar Playcenter MegaSized Installation

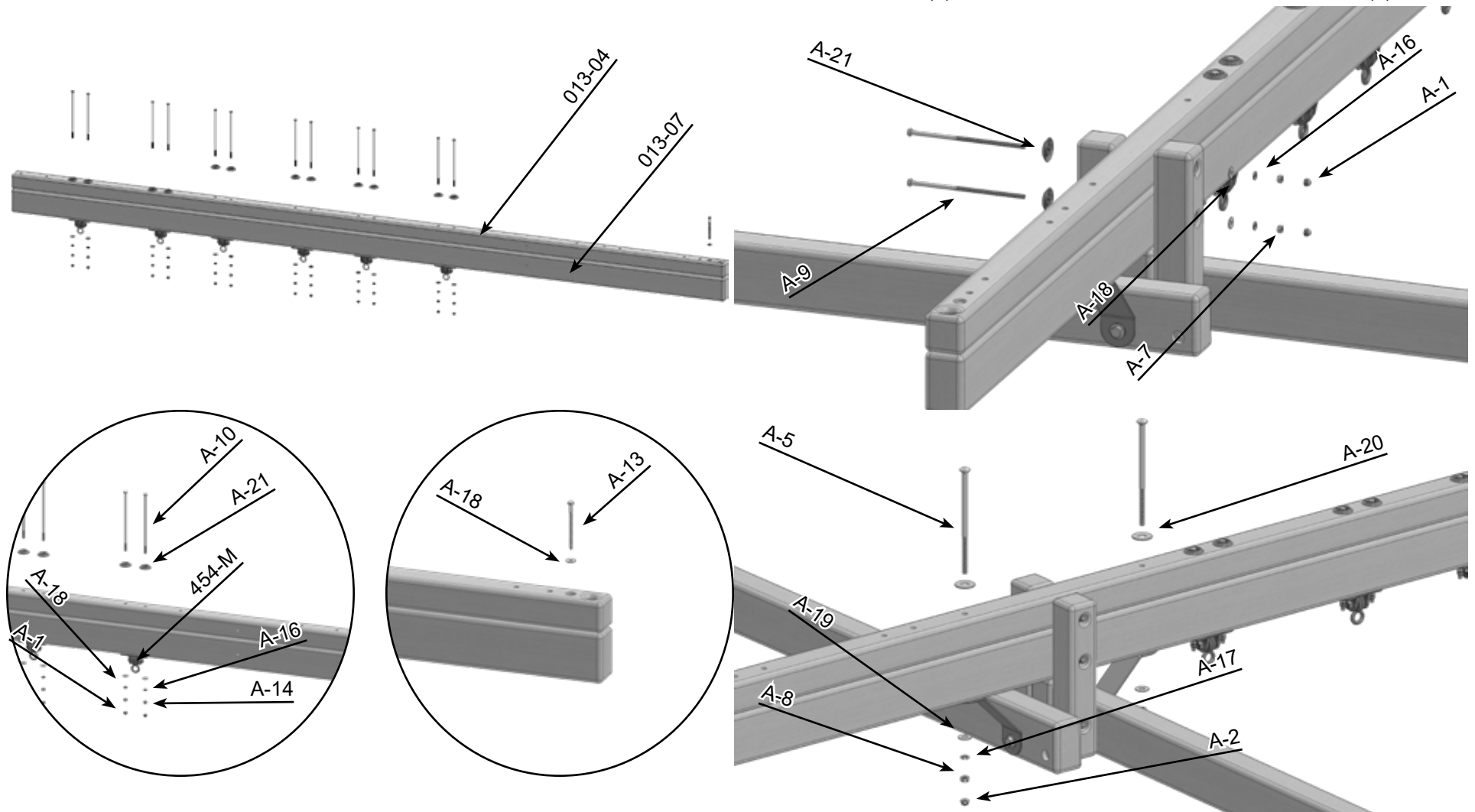
PARTS NEEDED

013-07- 4 Position Swingbeam- (1)
 013-04- 4 Position Header- (1)
 454-M- Ductile Iron Swing Hanger- (6)

A-10- 3/8" x 10 1/2" Hex Bolt- (12)
 A-18- 3/8" USS Flatwasher- (15)
 A-14- 3/8" Nylon Insert Locknut- (12)
 A-13- 3/8" x 5" Hex Lag Screw- (1)
 A-5- 1/2" x 10" Carriage Bolt- (2)
 A-19- 1/2" USS Flatwasher- (2)
 A-8- 1/2" Hex Nut- (2)

HARDWARE NEEDED

A-21- 3/8" Bolt Cup- (14)
 A-16- 3/8" Split Lockwasher- (14)
 A-1- 3/8" Acorn Nut Plated- (14)
 A-9- 3/8" x 10" Hex Bolt- (2)
 A-20- 3/4" USS Flatwasher- (2)
 A-17- 1/2" Split Lockwasher- (2)
 A-2- 1/2" Acorn Nut Plated- (2)



7.4 Jaguar Playcenter MegaSized Installation

PARTS NEEDED

454-P- Swingbeam T-Bracket- (1)

A-3- 1/2" x 3 1/2" Carriage Bolt- (2)

A-19- 1/2" USS Flatwasher- (2)

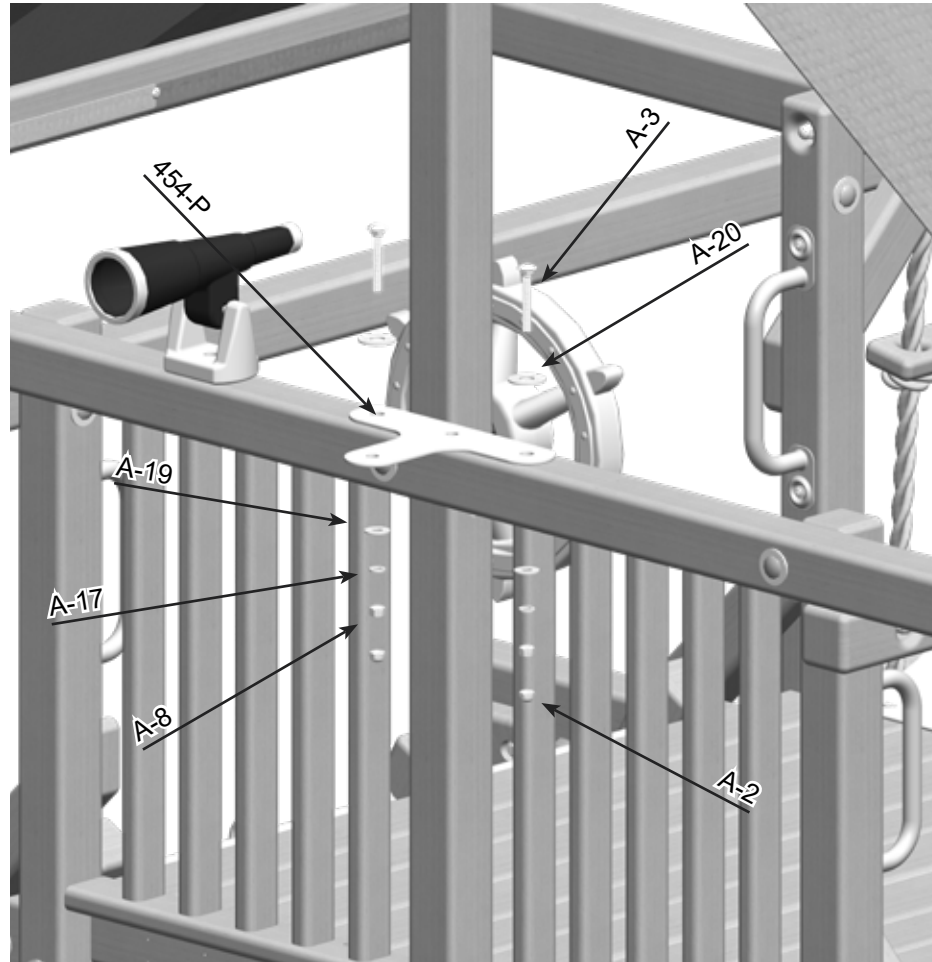
A-8- 1/2" Hex Nut- (2)

HARDWARE NEEDED

A-20- 3/4" USS Flatwasher- (2)

A-17- 1/2" Split Lockwasher- (2)

A-2 1/2" Acorn Nut Plated- (2)



7.4 Jaguar Playcenter MegaSized Installation

PARTS NEEDED

013-05- A-Frame Crossmember- (1)

A-5- 1/2" x 10" Carriage Bolt-

A-20- 3/4" USS Flatwasher-

A-17- 1/2" Split Lockwasher-

A-2- 1/2" Acorn Nut Plated-

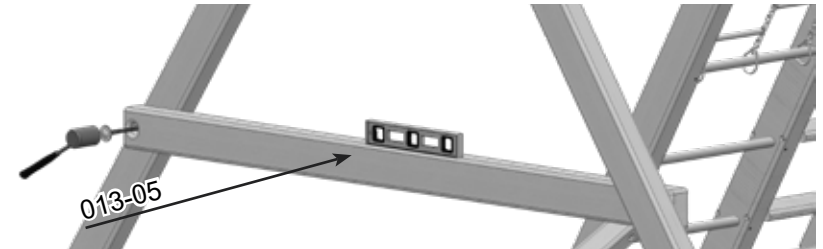
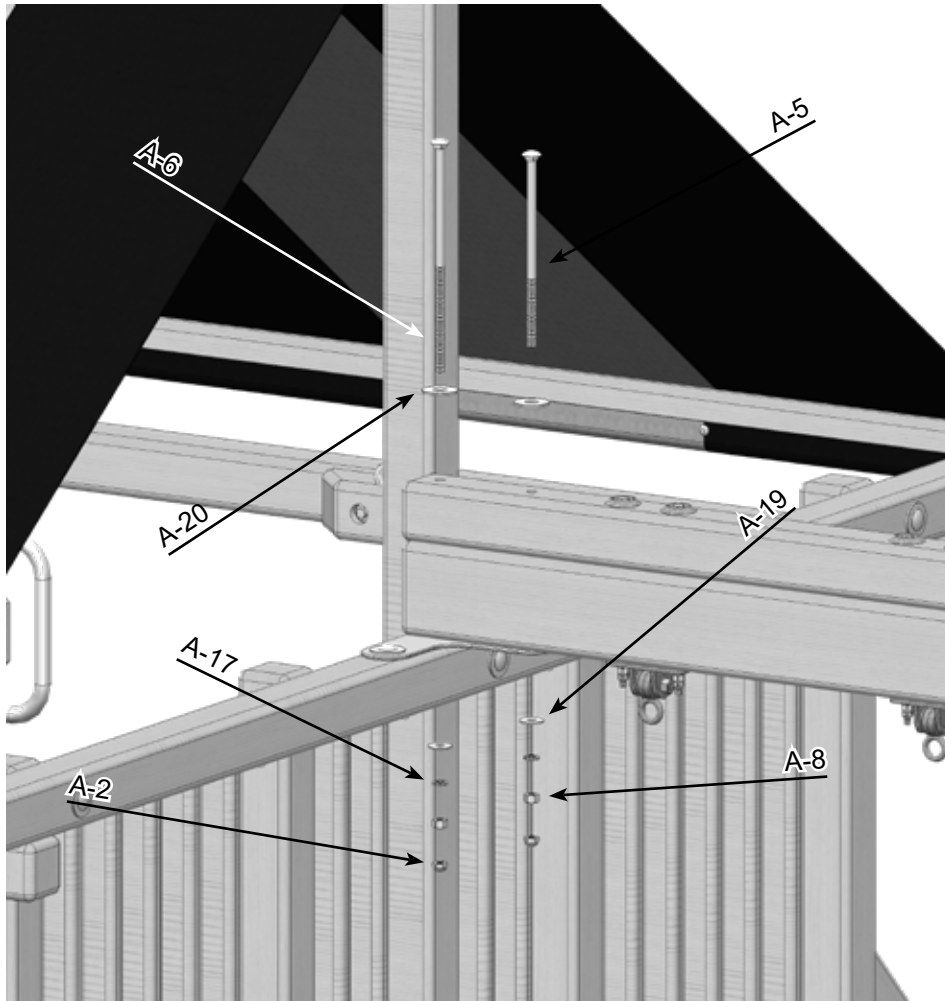
HARDWARE NEEDED

(1) A-6- 1/2" x 13" Carriage Bolt- (1)

(4) A-19- 1/2" USS Flatwasher- (4)

(4) A-8- 1/2" Hex Nut- (4)

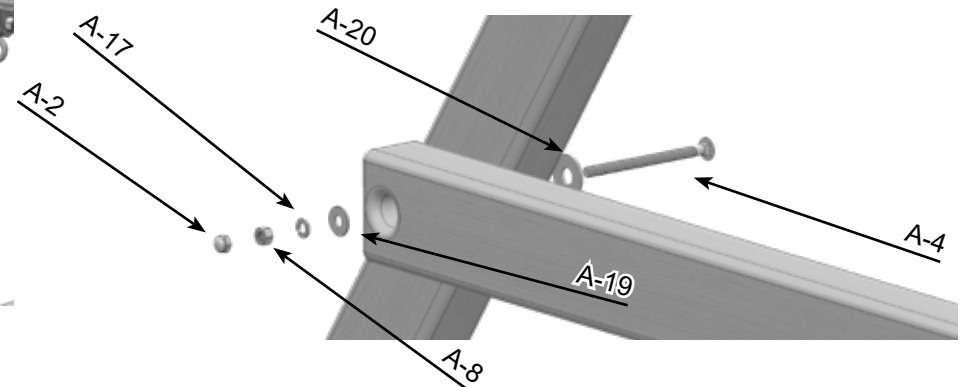
(4) A-4- 1/2" x 7" Carriage Bolt- (2)



Place Crossmember across A-Frame Legs while keeping level and mark the hole placement.



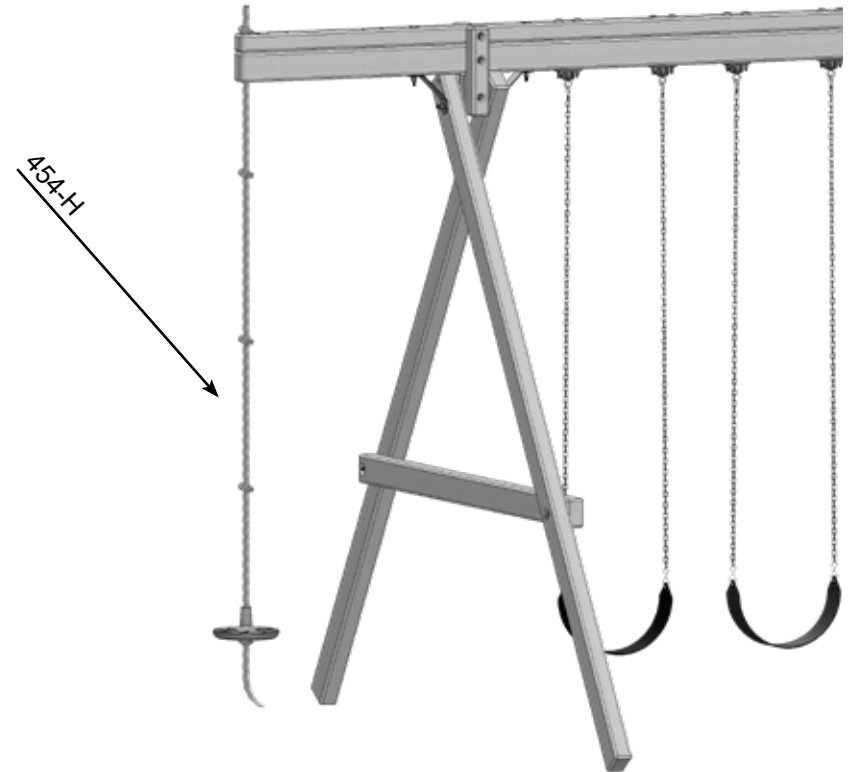
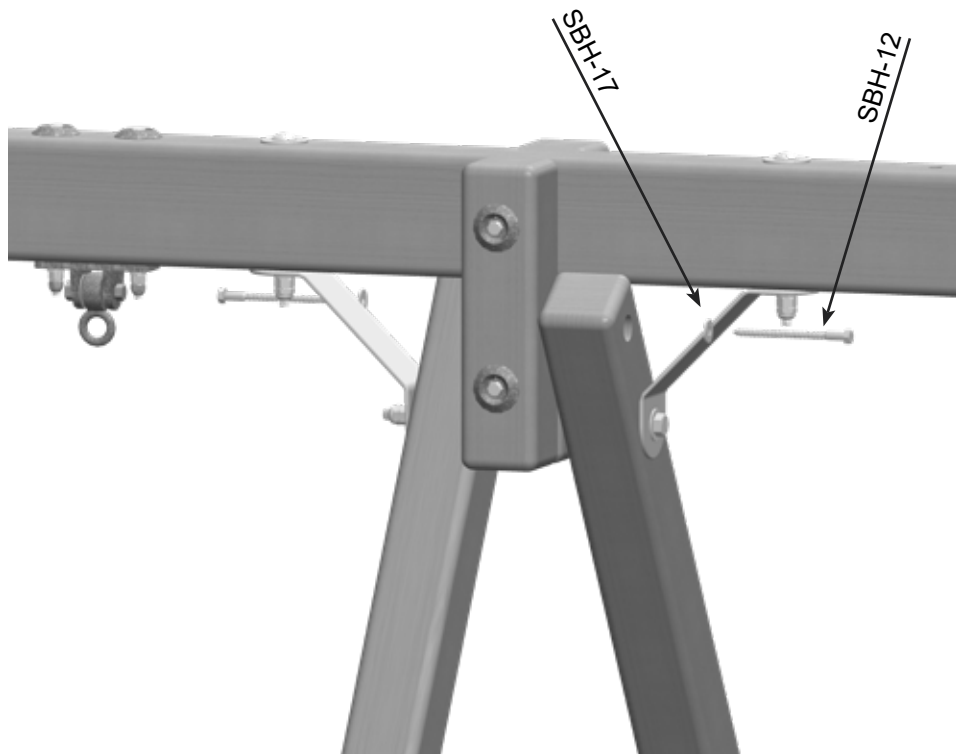
Drill a 9/16" hole through the A-FRAME LEGS where your marks are. Then using the Carrige Bolt Assembly both together.



7.4 Jaguar Playcenter MegaSized Installation

HARDWARE NEEDED

- SBH-17- 3/8" USS Flatwasher- (2)
- SBH-12- 3/8" x 5" Hex Lag Screw- (2)



Jaguar Playcenter Installation - Wood Roof Option

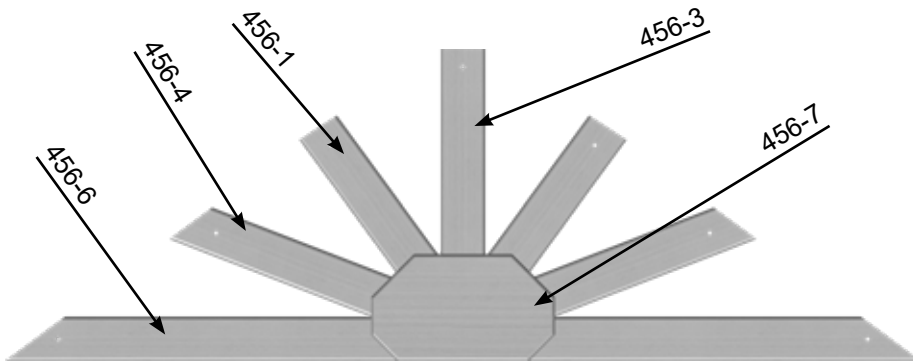
PARTS NEEDED

456-1- Short Fan Board-	(4)	456-3- Center Fan Board-	(2)
456-4- Long Fan Board-	(4)	456-6- Bottom Fan Board-	(2)
456-7- Center Fan Board-	(2)		

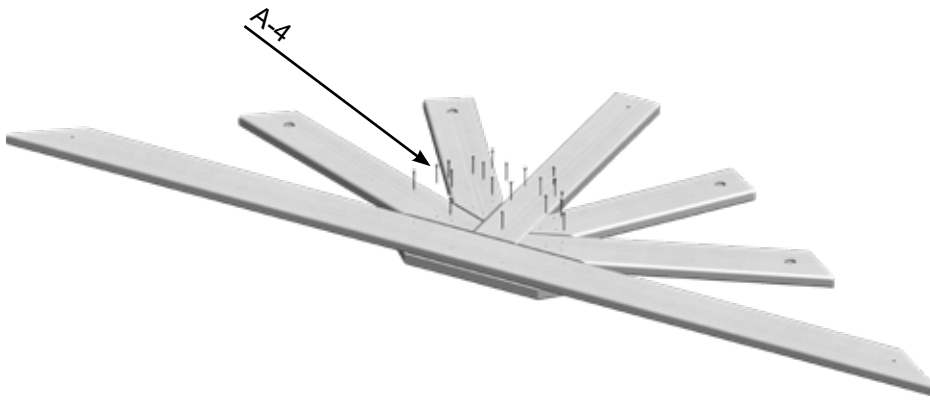
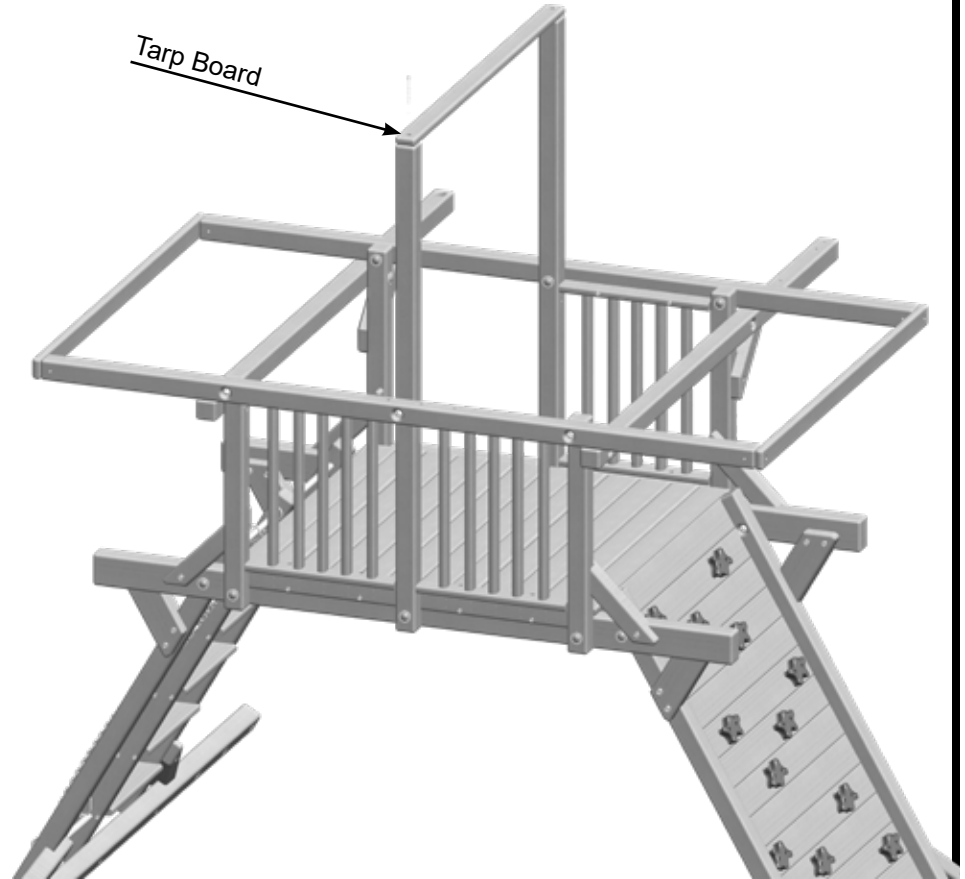
HARDWARE NEEDED

A-4- 1 1/2" Coated Deck Screw-	(40)
	(2)

Make 2 Fan Assemblies



Remove Center Tarp Board



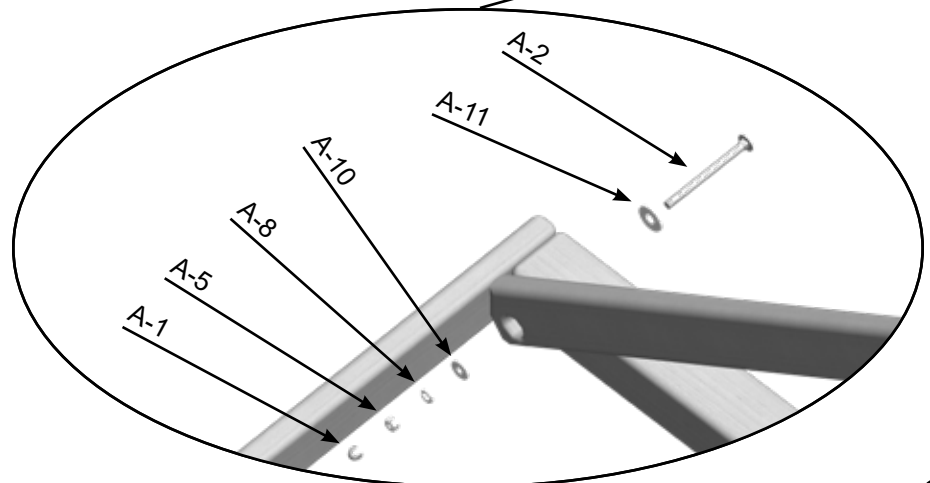
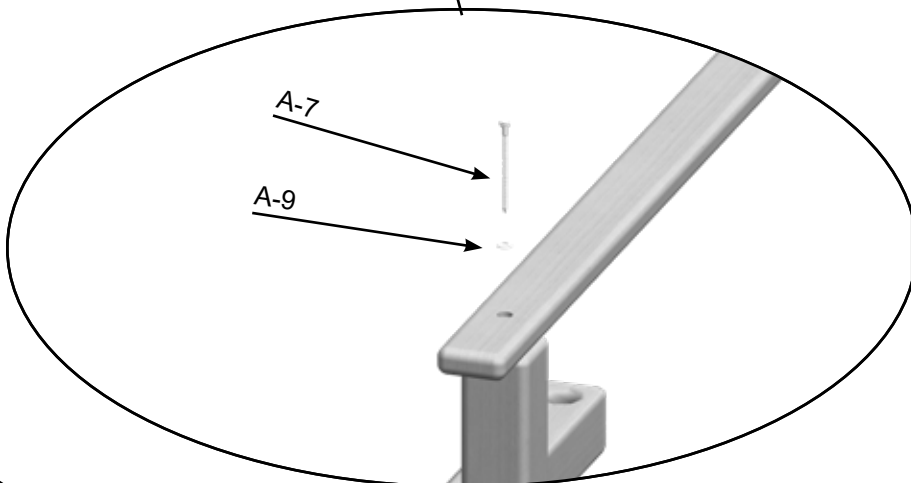
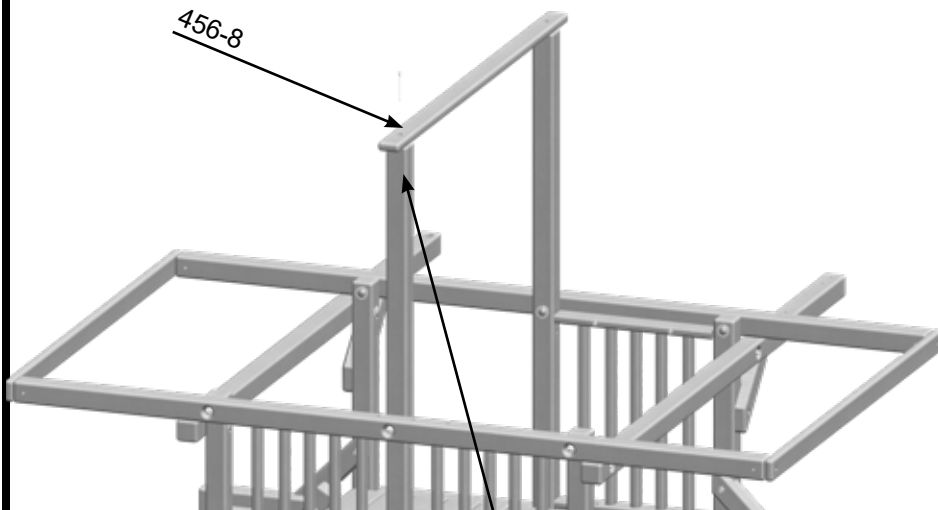
Jaguar Playcenter Installation - Wood Roof Option

PARTS NEEDED

456-8- Wood Roof Top Board- (1)
 456-10- Right Wood Roof Runner- (2)
 456-9- Left Wood Roof Runner- (2)

HARDWARE NEEDED

A-7- 1/4" x 4 1/2" Hex Lag Screw- (2)
 A-2- 3/8" x 5" Carriage Bolt- (4)
 A-10- 3/8" USS Flatwasher- (4)
 A-5- 3/8" Hex Nut- (4)
 A-9- 1/4" USS Flatwasher- (2)
 A-11- 1/2" USS Flatwasher- (4)
 A-8- 3/8" Split Lockwasher- (4)
 A-1- 3/8" Acorn Nut Plated- (4)



Jaguar Playcenter Installation - Wood Roof Option

PARTS NEEDED

456-12- Wood Roof Board- (10)
456-5- Wood Roof Support- (2)

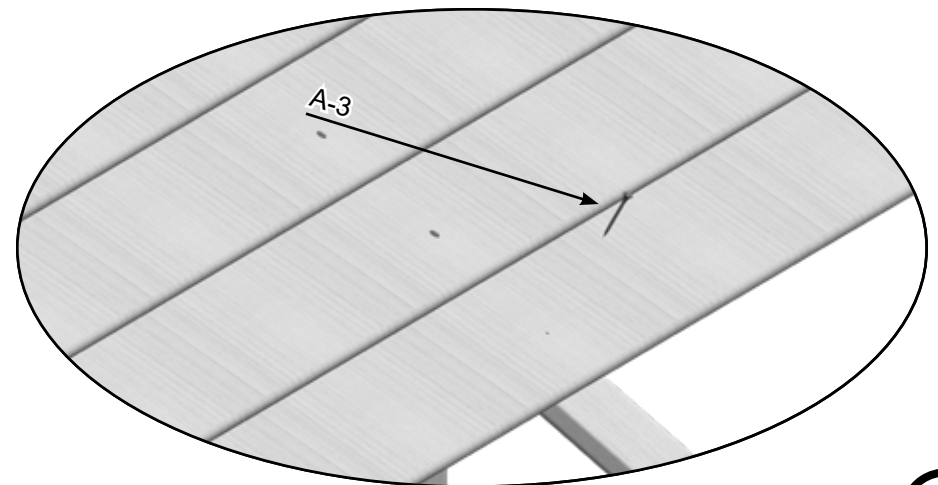
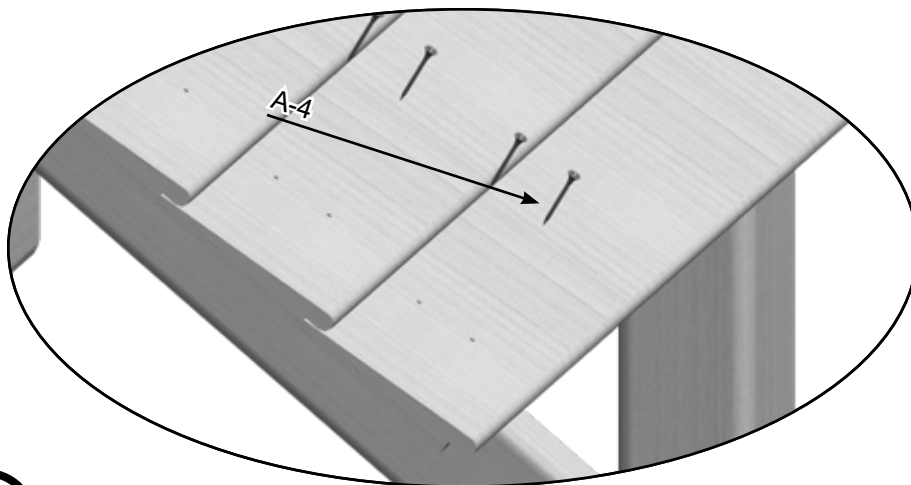
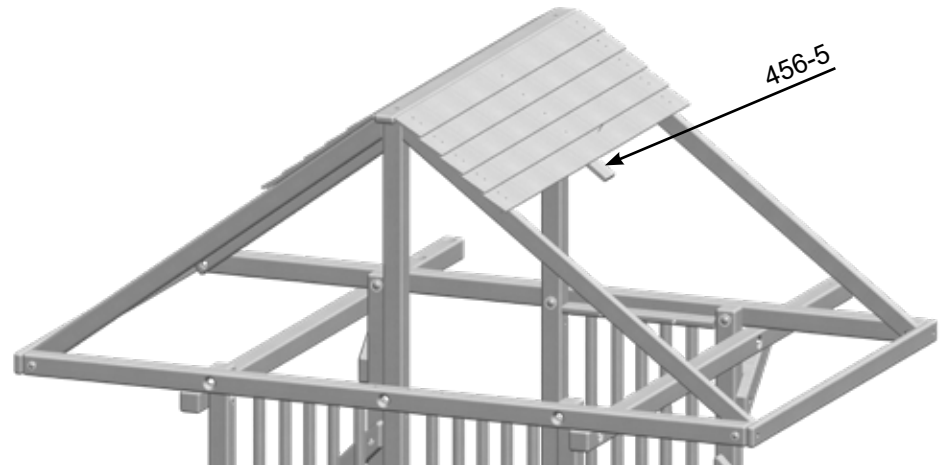
HARDWARE NEEDED

A-4- 1 1/2" Coated Deck Screw- (40)
A-3- 1 1/4" Coated Deck Screw- (10)

Repeat for Both Sides of Wood Roof



Repeat for Both Sides of Wood Roof



Jaguar Playcenter Installation - Wood Roof Option

PARTS NEEDED

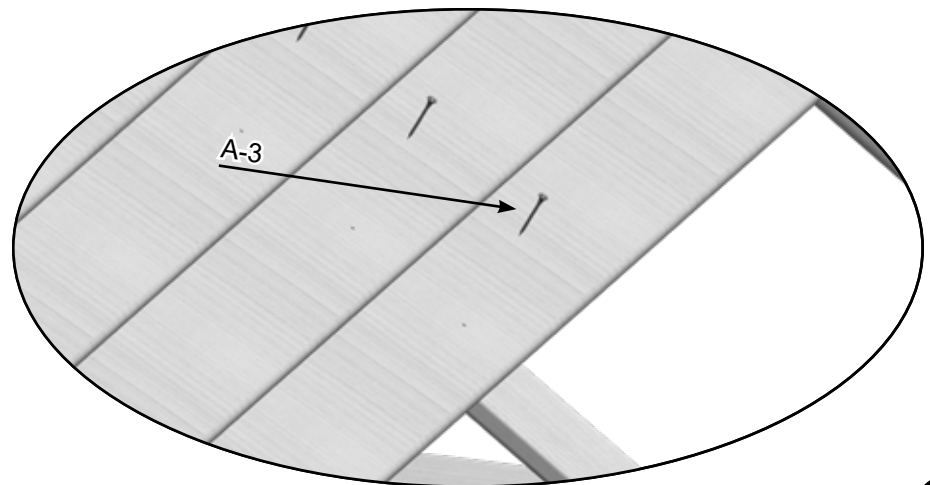
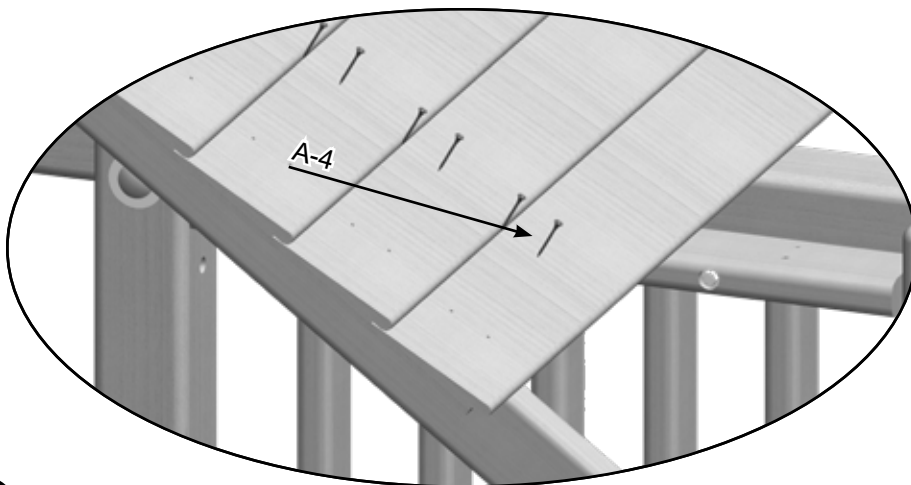
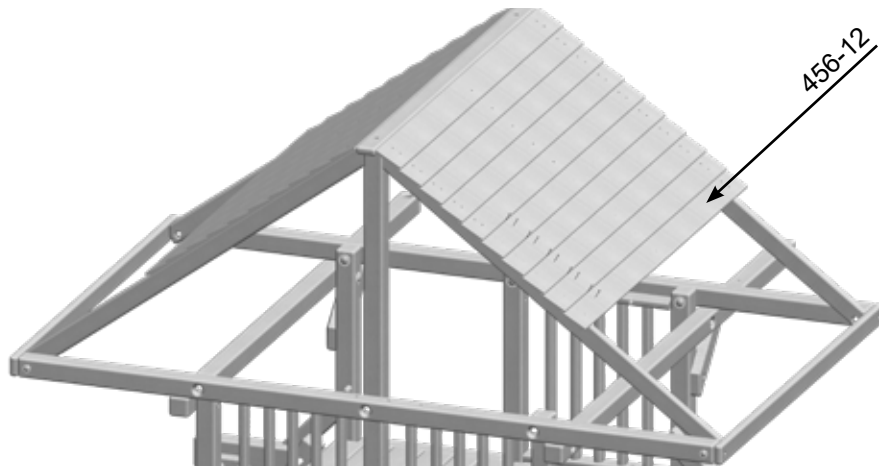
456-12- Wood Roof Board- (10)
456-5- Wood Roof Support- (2)

HARDWARE NEEDED

A-4- 1 1/2" Coated Deck Screw- (40)
A-3- 1 1/4" Coated Deck Screw- (10)

Repeat for Both Sides of Wood Roof

Repeat for Both Sides of Wood Roof



Jaguar Playcenter Installation - Wood Roof Option

PARTS NEEDED

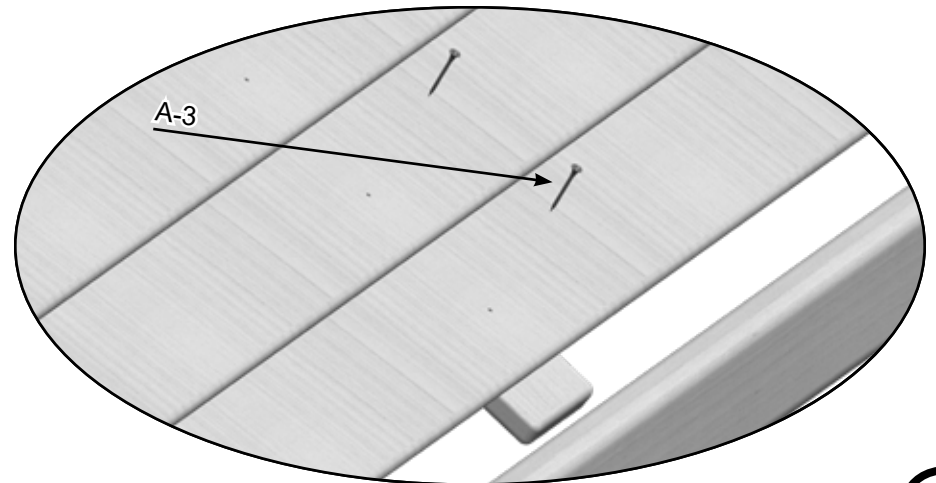
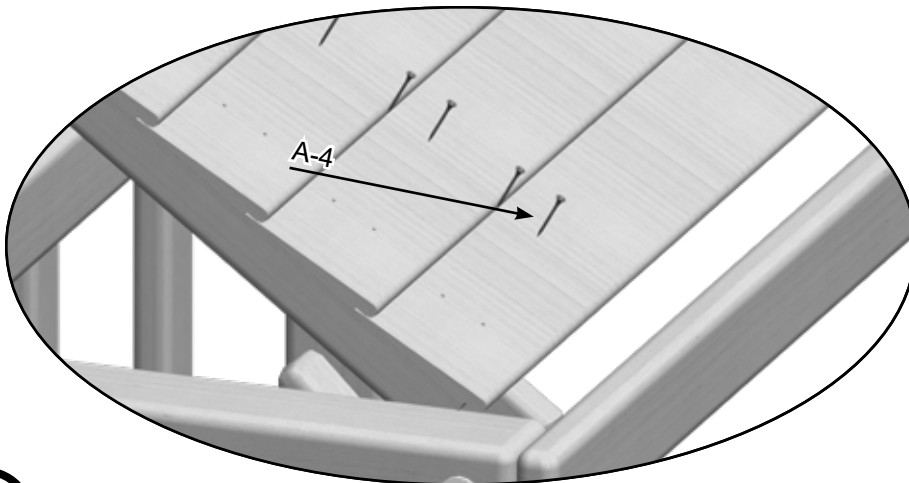
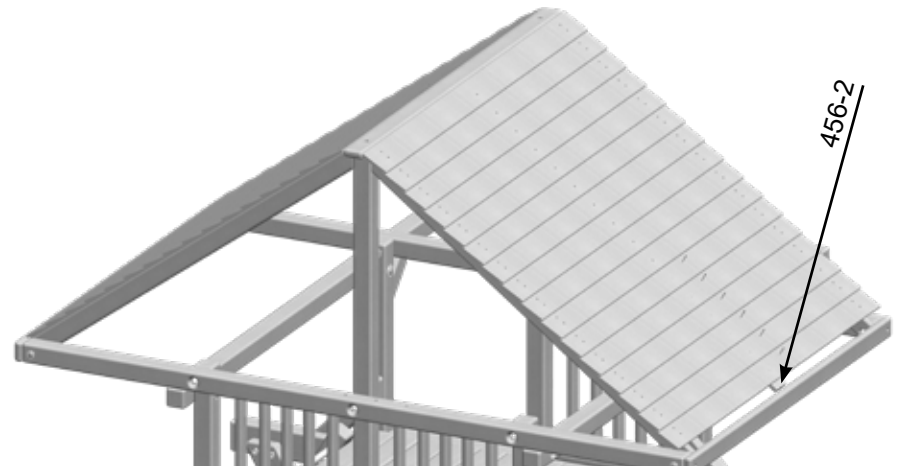
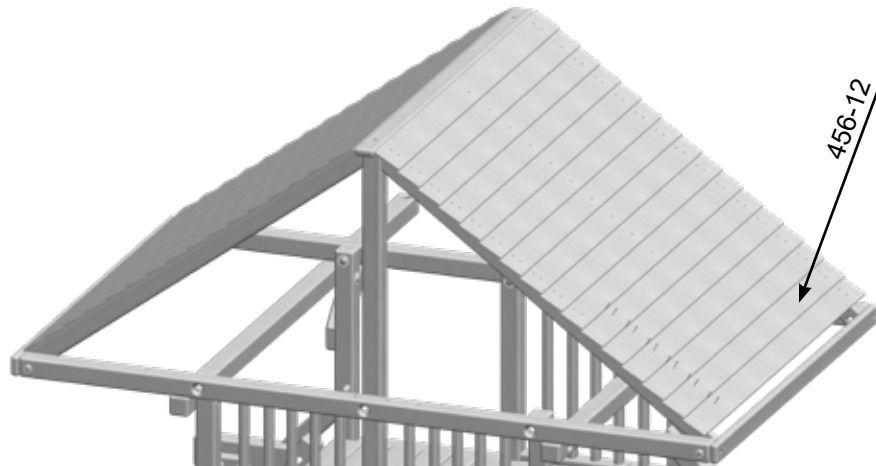
456-12- Wood Roof Board- (12)
456-2- Wood Roof Support- (2)

HARDWARE NEEDED

A-4- 1 1/2" Coated Deck Screw- (48)
A-3- 1 1/4" Coated Deck Screw- (12)

Repeat for Both Sides of Wood Roof

Repeat for Both Sides of Wood Roof



Jaguar Playcenter Installation - Wood Roof Option

PARTS NEEDED

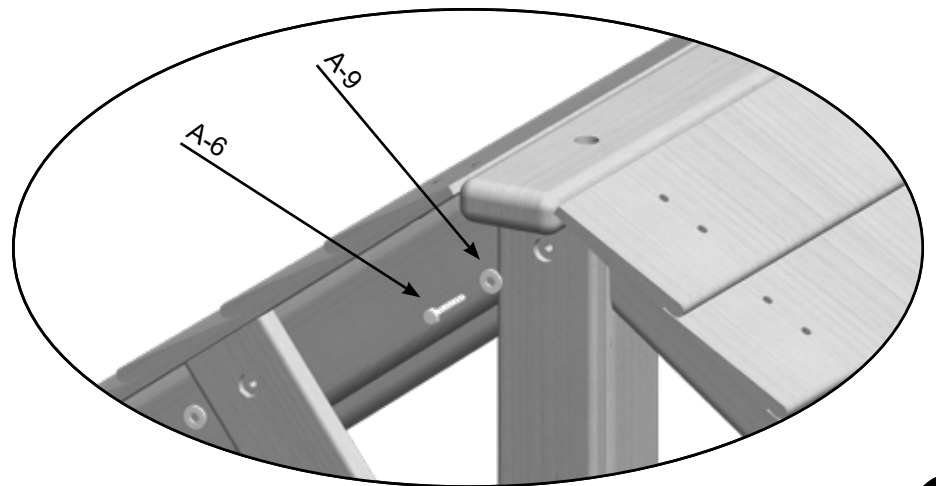
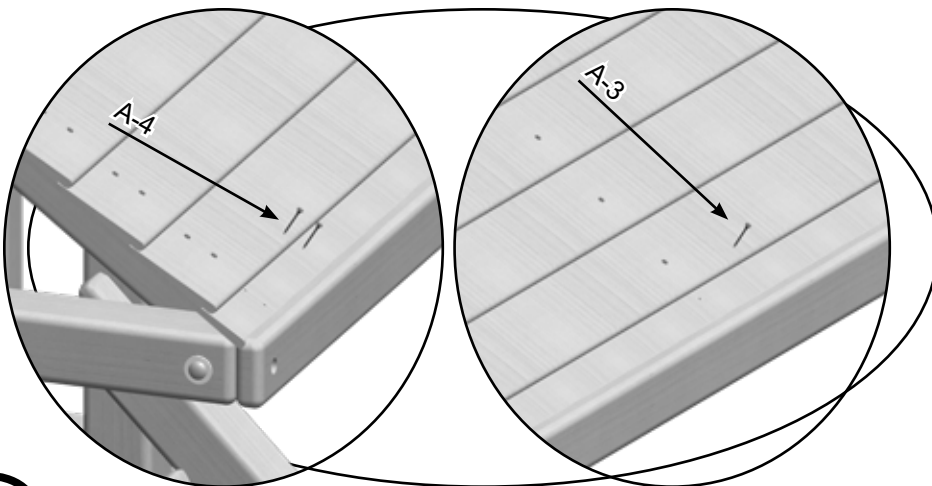
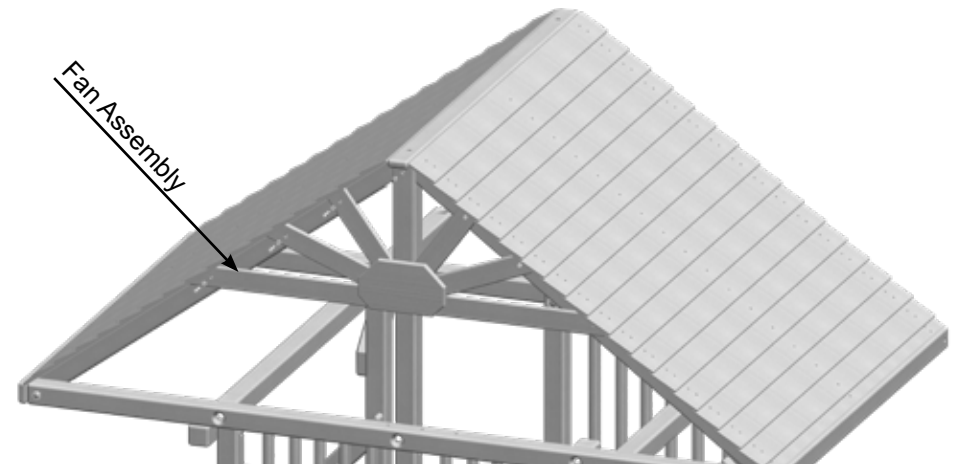
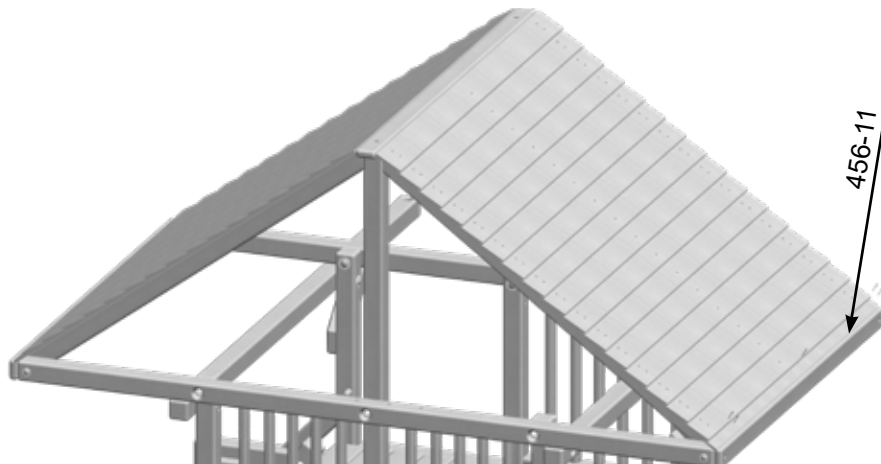
456-11- Wood Roof Board- Ripped- (2)
Fan Assembly- (2)

HARDWARE NEEDED

A-4- 1 1/2" Coated Deck Screw- (8)
A-3- 1 1/4" Coated Deck Screw- (2)
A-6- 1/4" x 1 1/2" Hex Lag Screw- (14)
A-9- 1/4" USS Flatwasher- (14)

Repeat for Both Sides of Wood Roof

Repeat for Both Sides of Wood Roof



Jaguar Playcenter Installation - Treehouse Panels Option

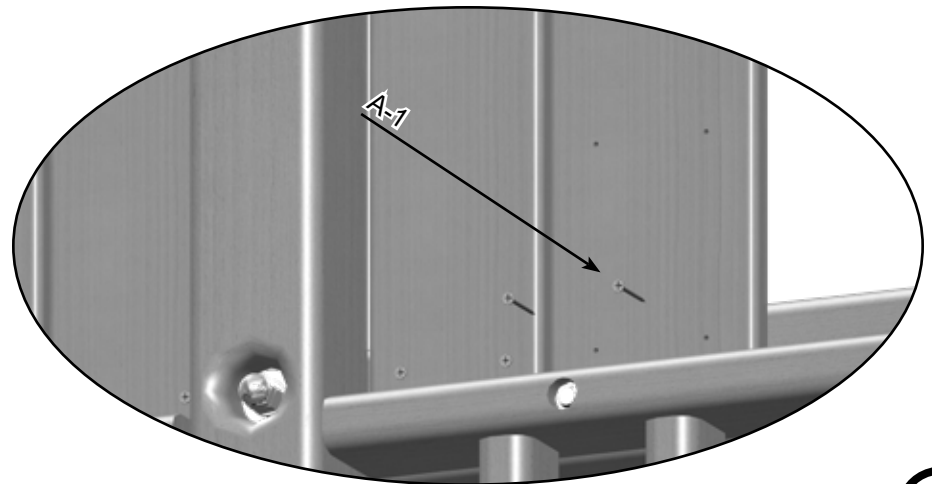
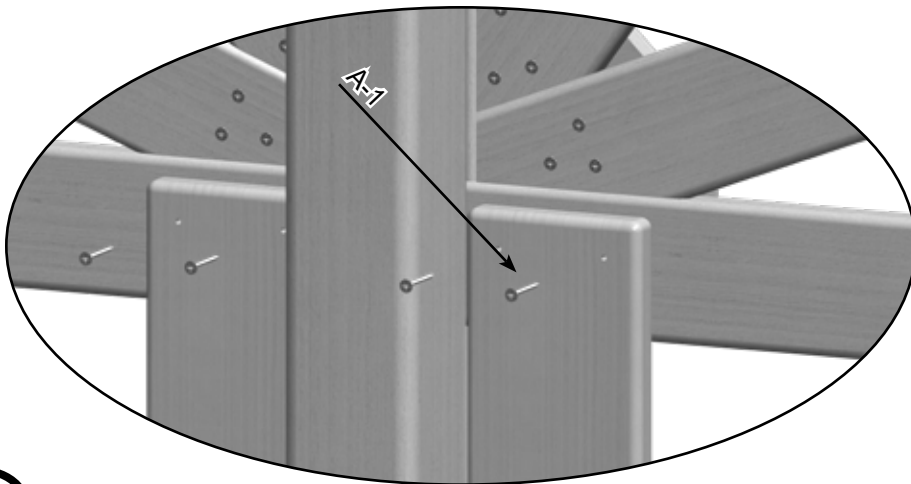
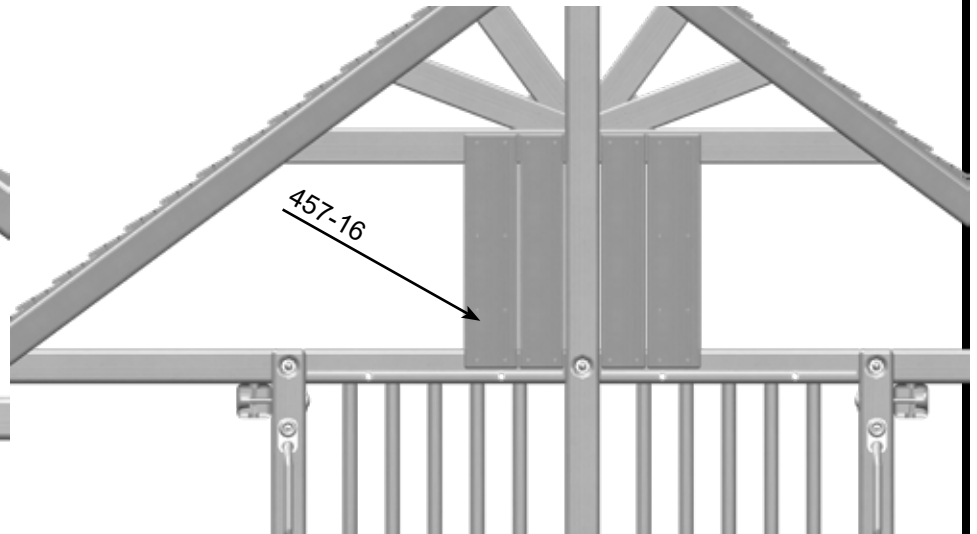
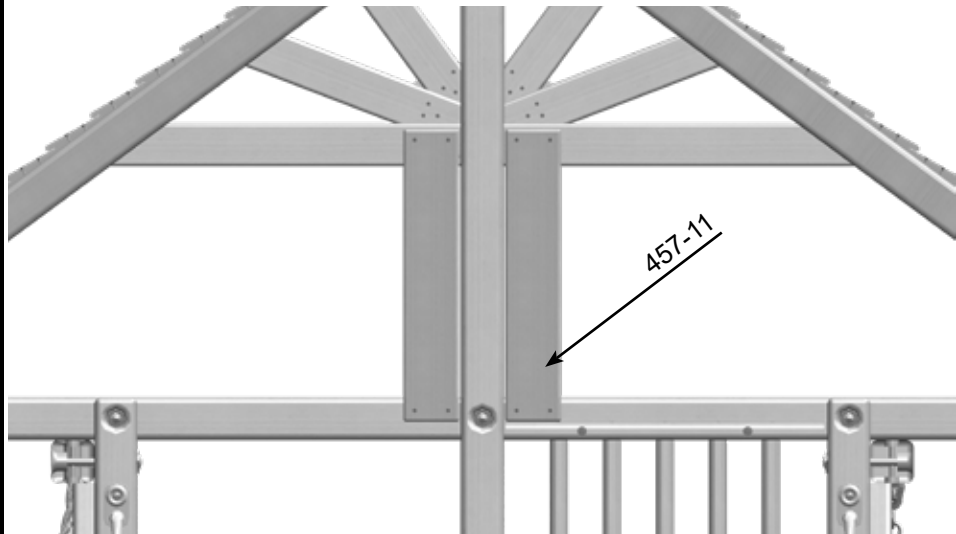
PARTS NEEDED

- 457-11- Upper Panel Board #11- (4)
- 457-16- Upper Panel Board #10- (4)

HARDWARE NEEDED

- A-1- 1 1/2" Coated Deck Screw- (32)

(Repeat for both sides)



Jaguar Playcenter Installation - Treehouse Panels Option

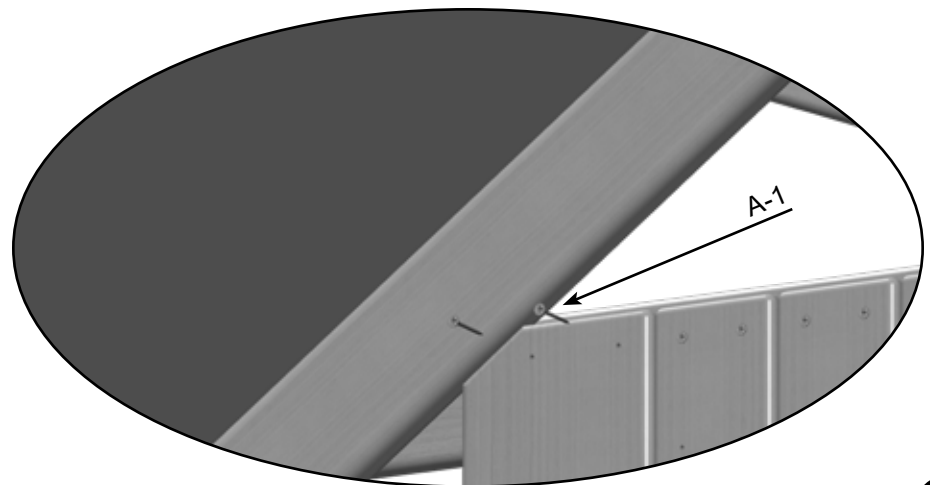
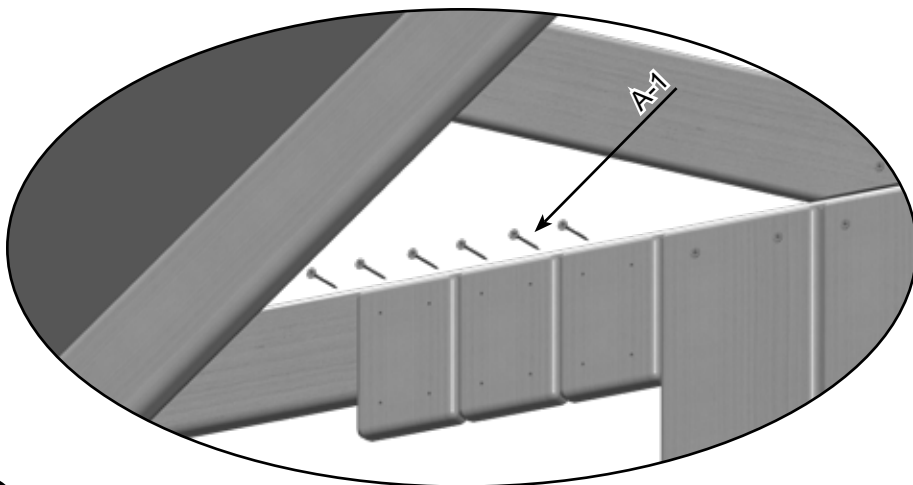
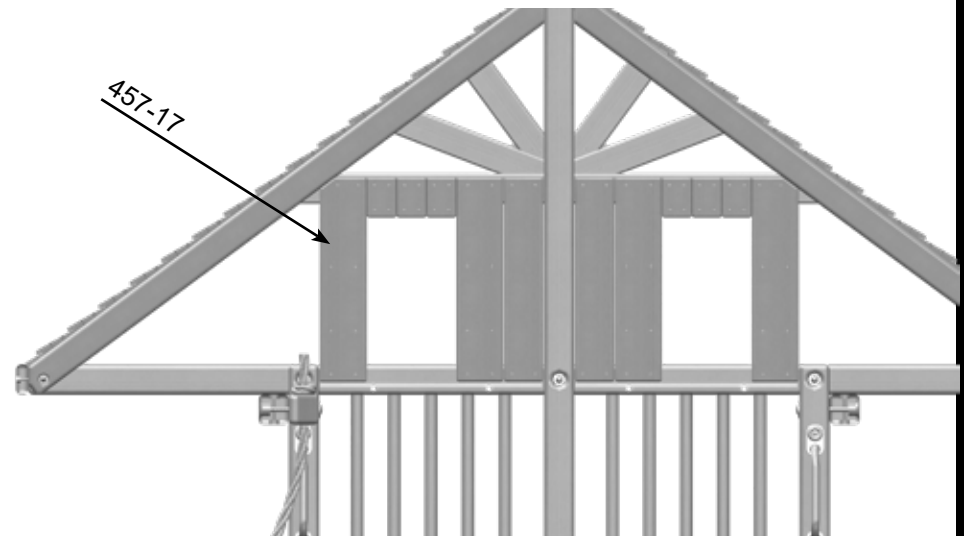
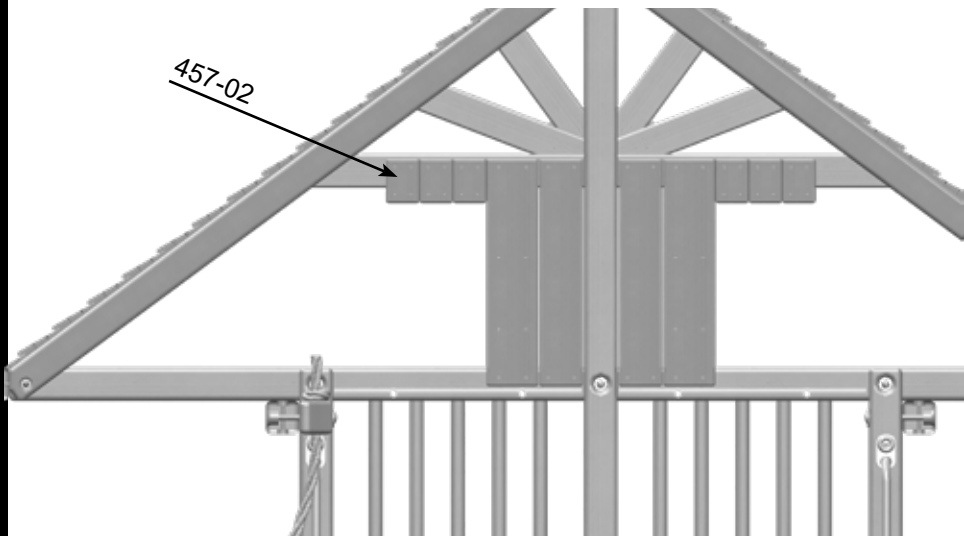
PARTS NEEDED

457-02- Upper Panel Board #9- (12)
457-17- Upper Panel Board #8- (4)

HARDWARE NEEDED

A-1- 1 1/2" Coated Deck Screw- (40)

(Repeat for both sides)



Jaguar Playcenter Installation - Treehouse Panels Option

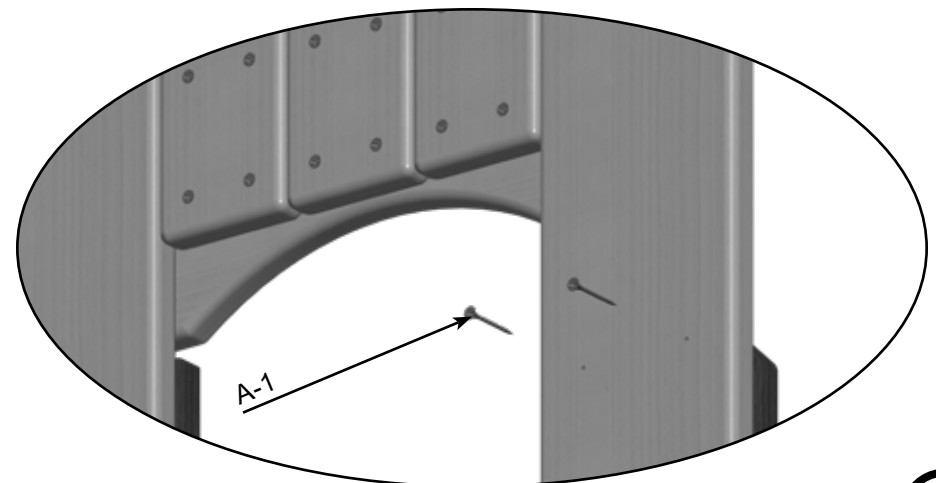
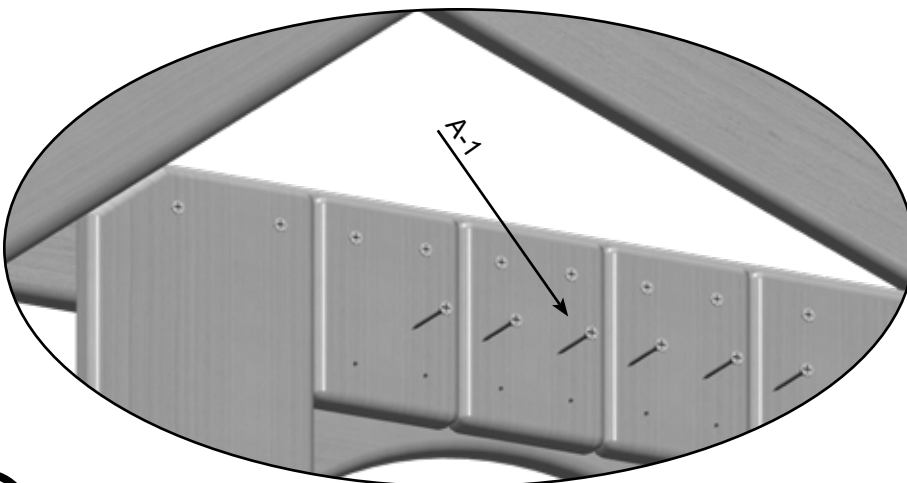
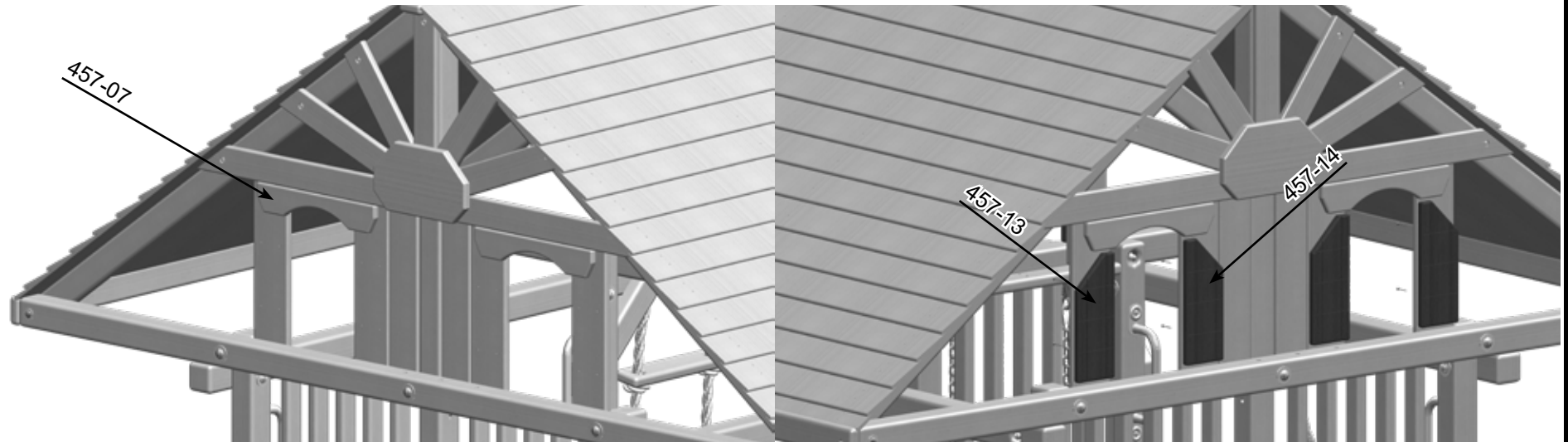
PARTS NEEDED

- 457-07- Window Arch- (4)
- 457-13- Left Treehouse Shutter- (4)
- 457-14- Right Treehouse Shutter- (4)

HARDWARE NEEDED

- A-1- 1 1/2" Coated Deck Screw- (56)

(Repeat for both sides)



Jaguar Playcenter Installation - Treehouse Panels Option

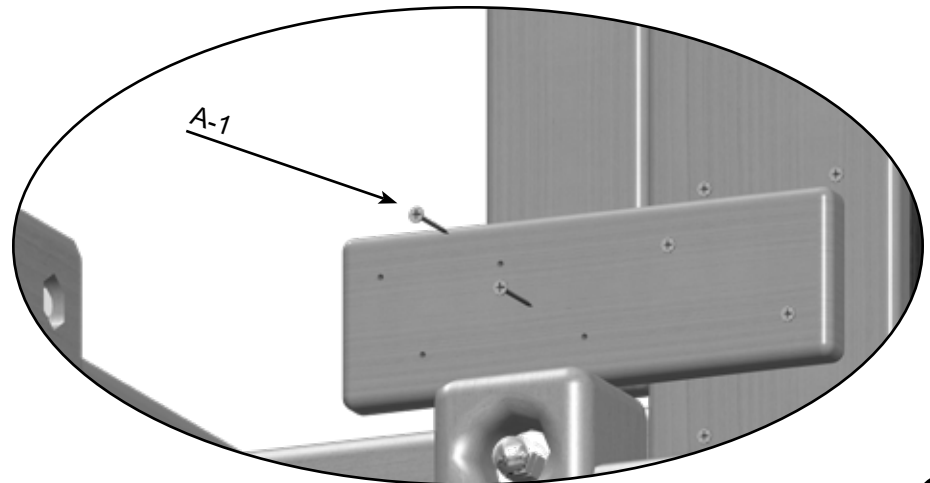
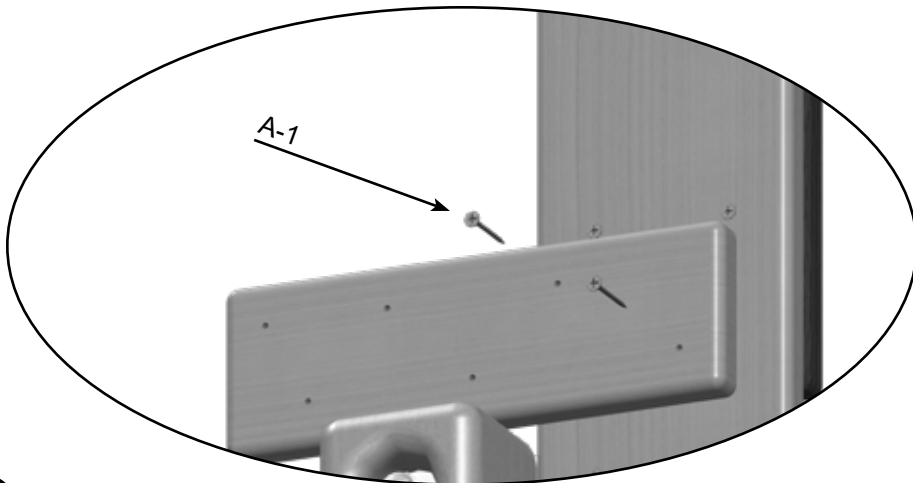
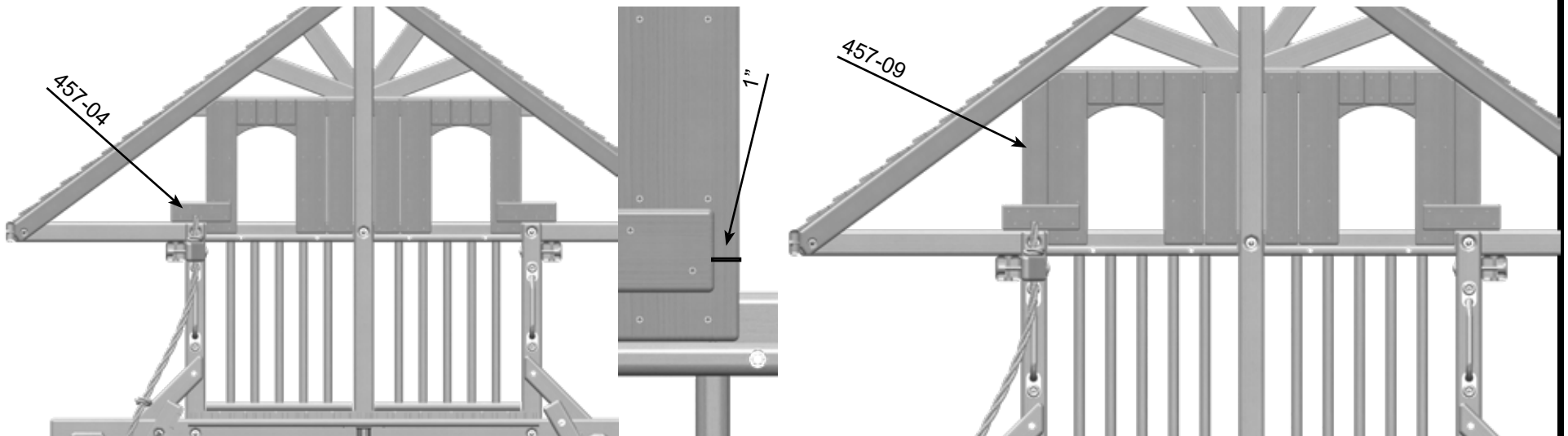
PARTS NEEDED

- 457-04- Upper Panel Board #12- (4)
- 457-09- Upper Panel Board #7- (4)

HARDWARE NEEDED

- A-1- 1 1/2" Coated Deck Screw- (16)

(Repeat for both sides)



Jaguar Playcenter Installation - Treehouse Panels Option

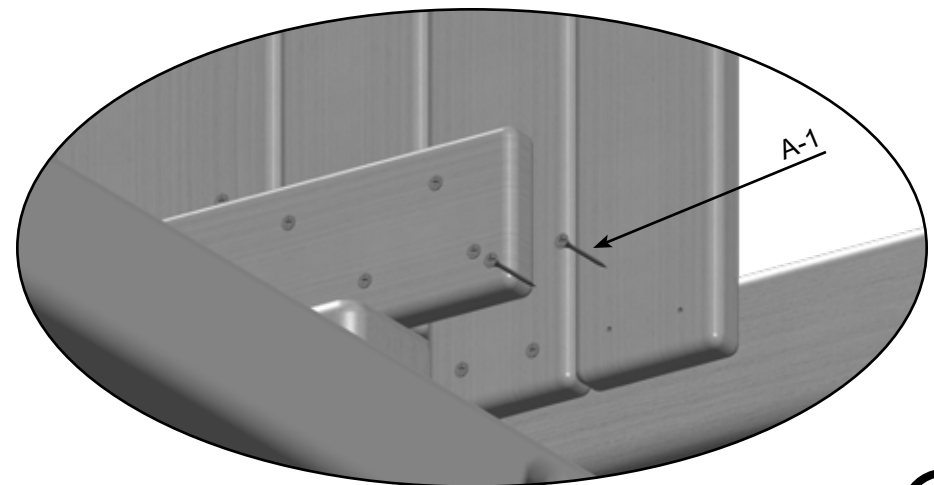
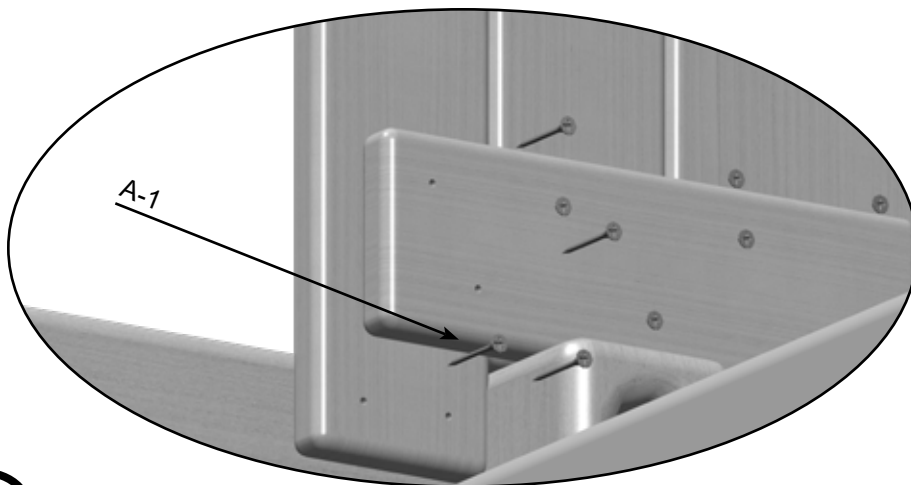
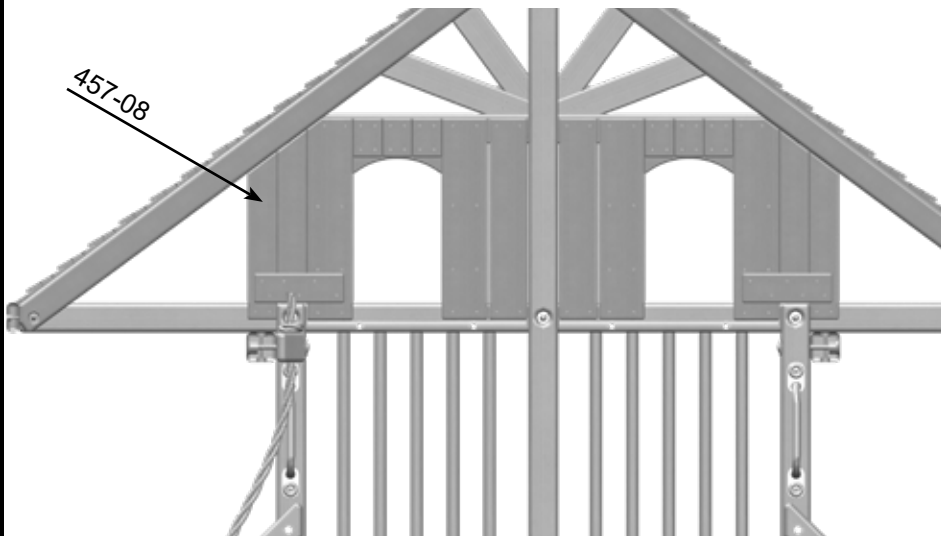
PARTS NEEDED

- 457-08- Upper Panel Board #6- (4)
- 457-06- Upper Panel Board #5- (4)

HARDWARE NEEDED

- JPH-1- 1 1/2" Coated Deck Screw- (24)

(Repeat for both sides)



Jaguar Playcenter Installation - Treehouse Panels Option

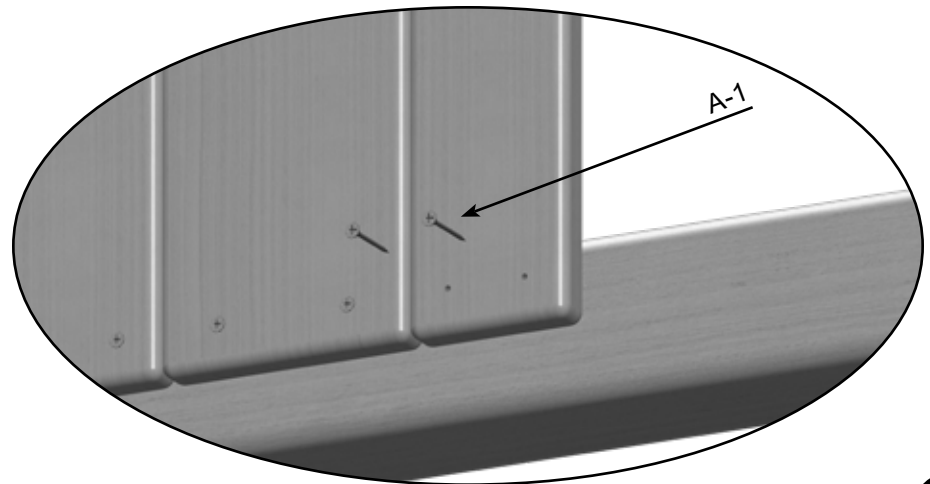
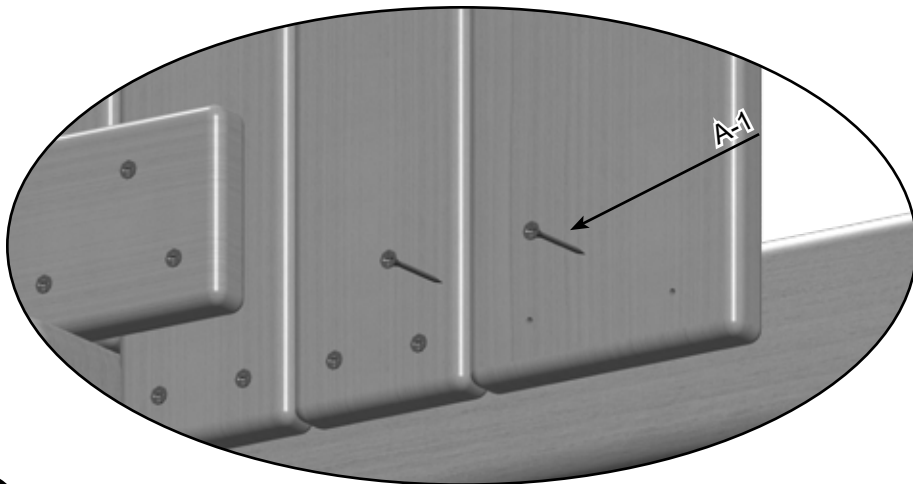
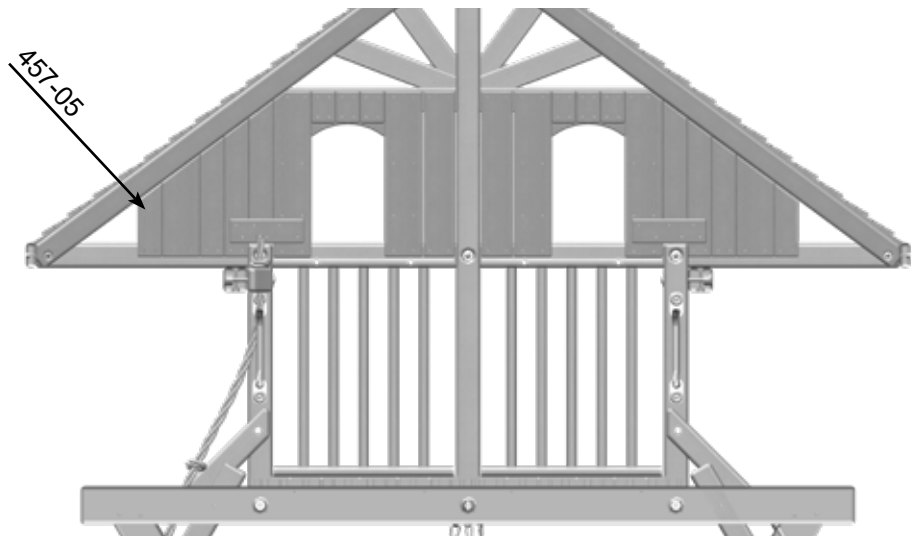
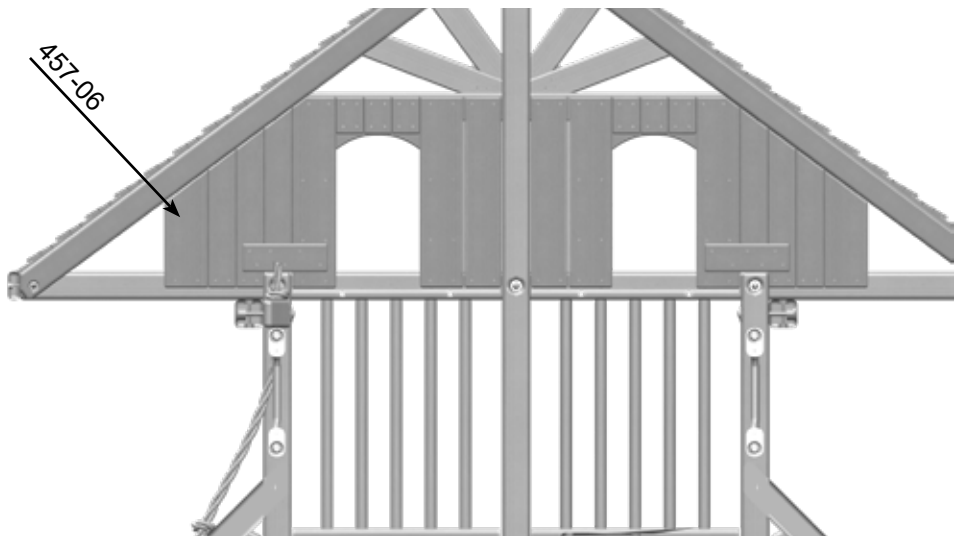
PARTS NEEDED

- 457-06- Upper Panel Board #5- (4)
- 457-05- Upper Panel Board #3- (4)

HARDWARE NEEDED

- A-1- 1 1/2" Coated Deck Screw- (16)

(Repeat for both sides)



Jaguar Playcenter Installation - Treehouse Panels Option

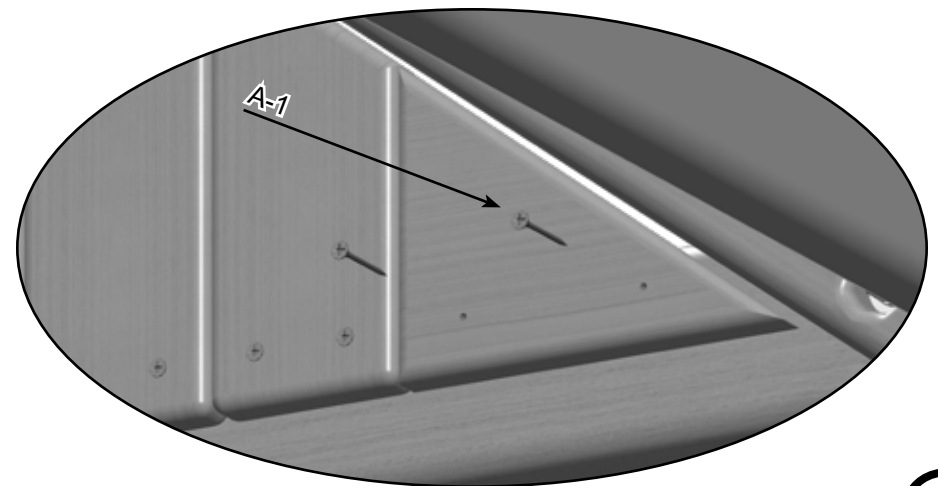
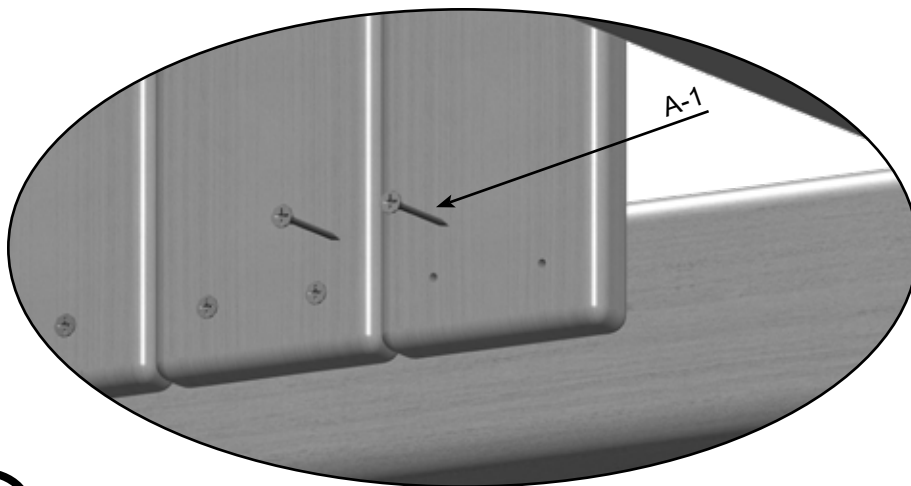
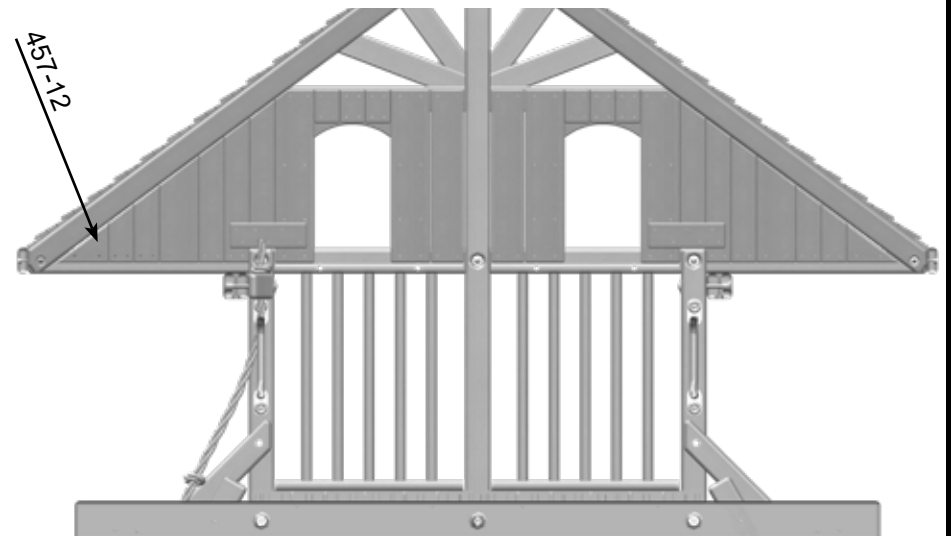
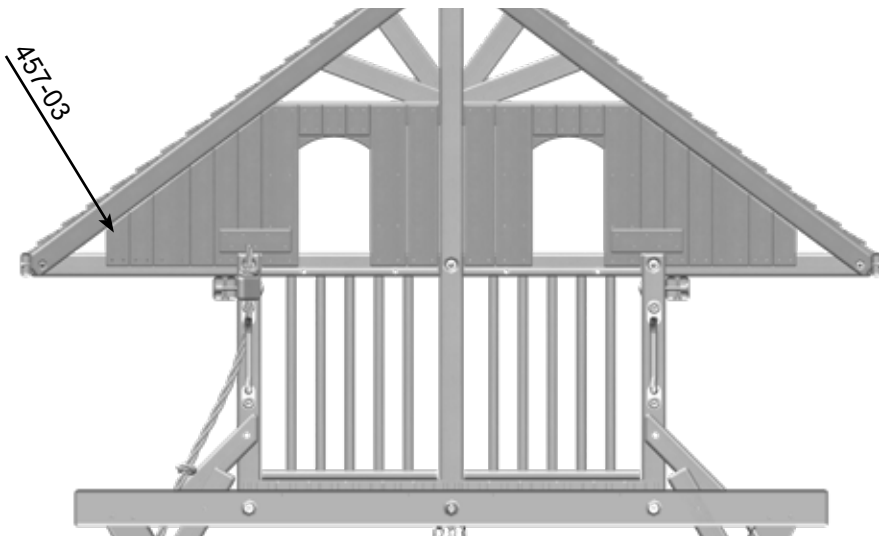
PARTS NEEDED

- 457-03- Upper Panel Board #2- (4)
- 457-12- Upper Panel Board #1- (4)

HARDWARE NEEDED

- A-1- 1 1/2" Coated Deck Screw- (16)

(Repeat for both sides)



Jaguar Playcenter Installation - Treehouse Panels Option

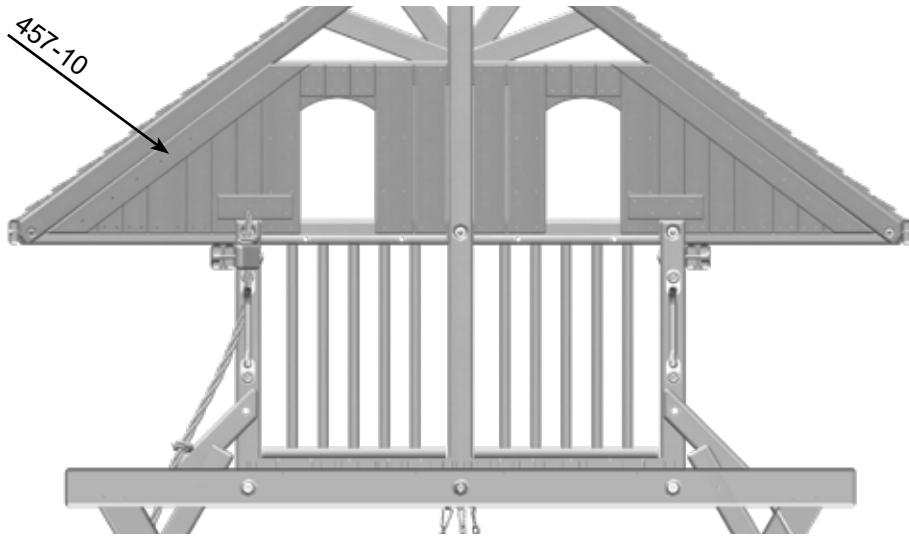
PARTS NEEDED

457-10- Upper Panel Inside Support- (4)

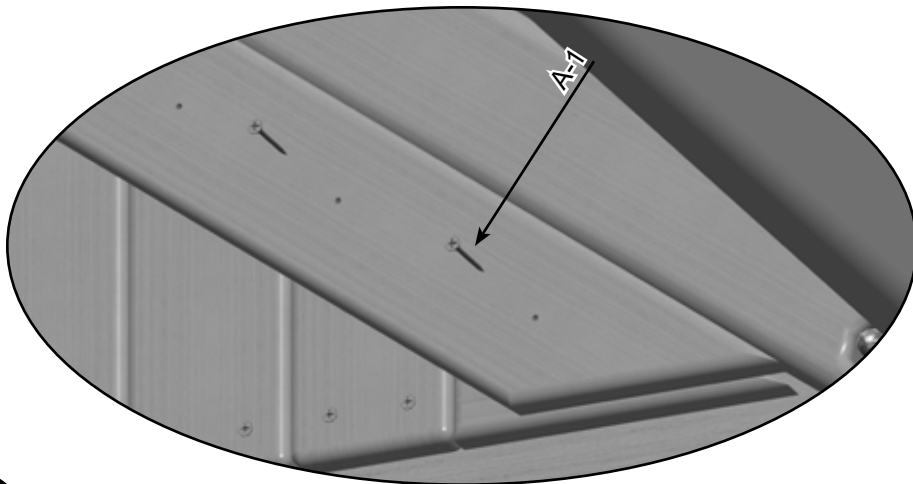
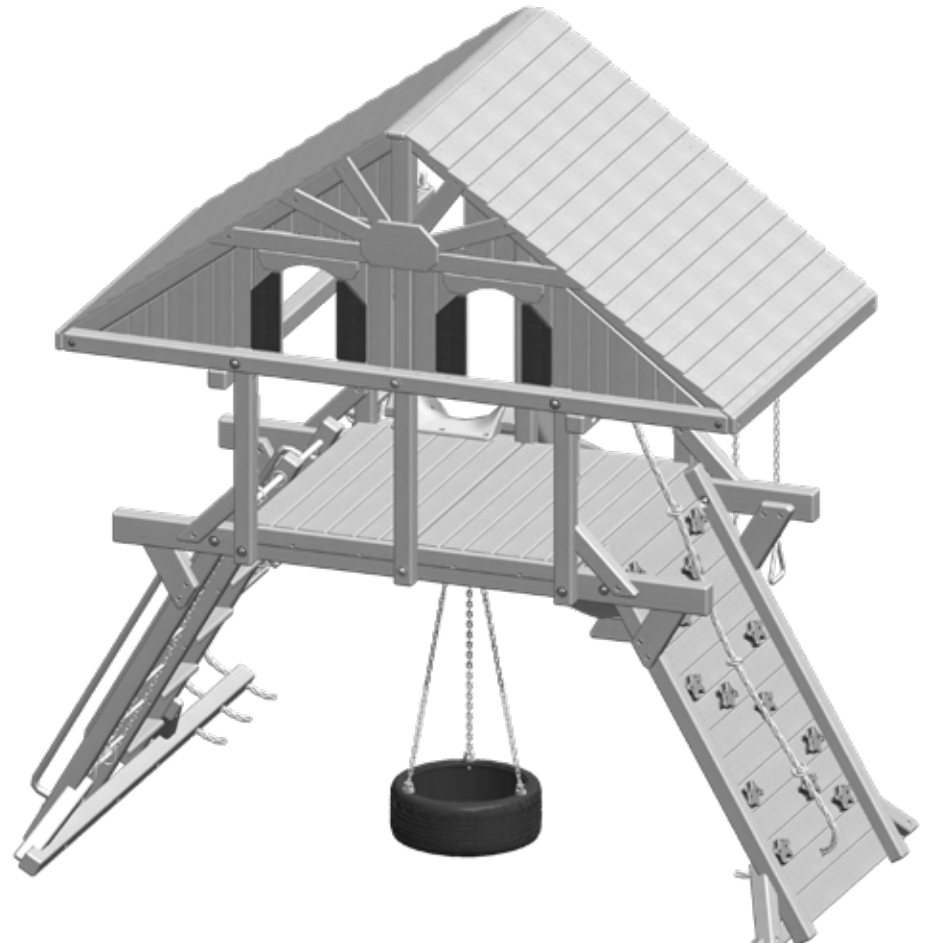
HARDWARE NEEDED

A-1- 1 1/2" Coated Deck Screw- (32)

(Repeat for both sides)



Remove Rails if not done.



Jaguar Playcenter Installation - Treehouse Panels Option

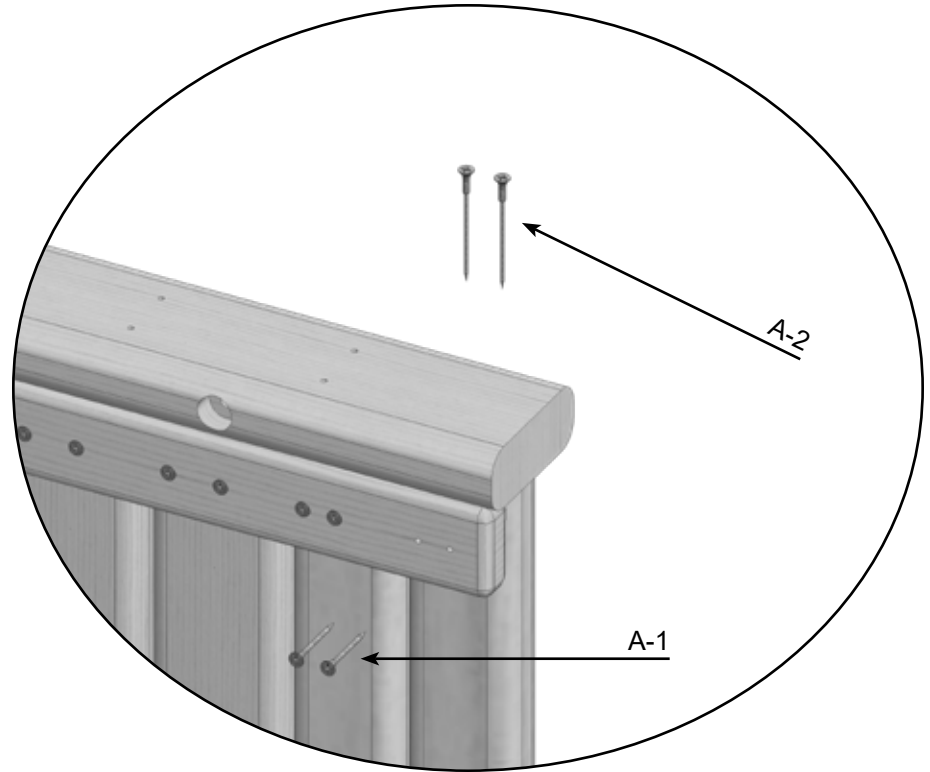
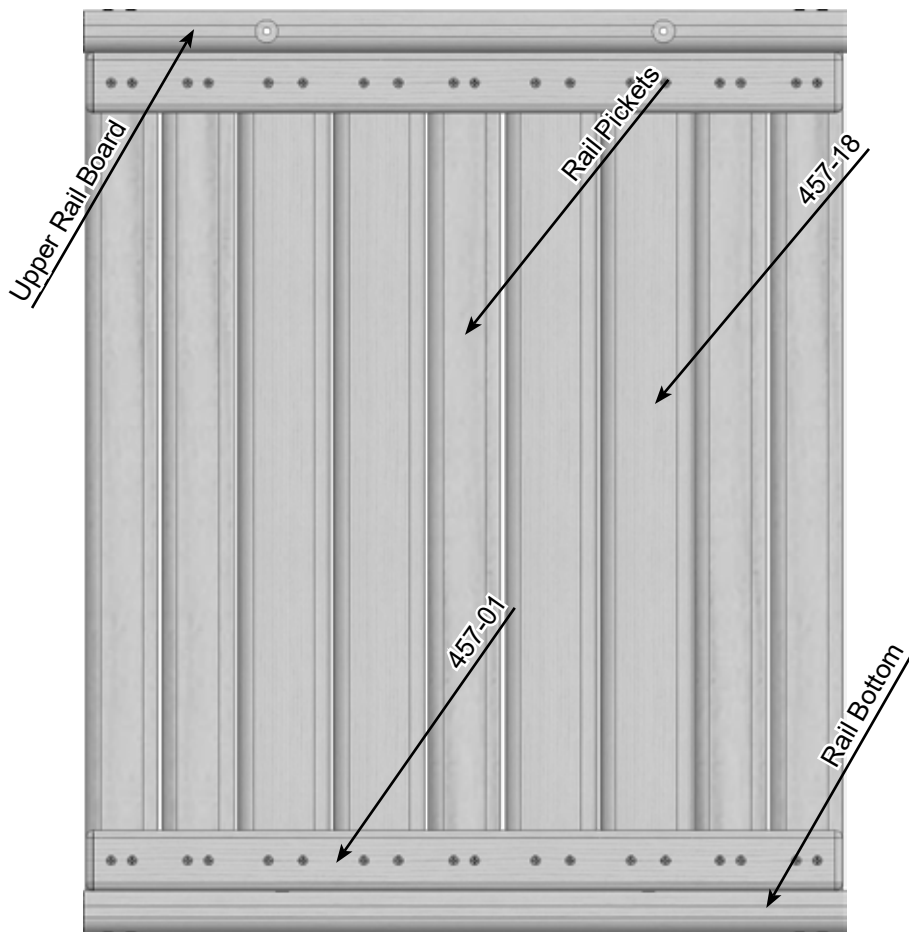
PARTS NEEDED

457-9- Lower Panel Support- (6)

HARDWARE NEEDED

Rail Hardware- (36)

(Make 3 Filled Rail Assemblies)



Jaguar Playcenter Installation - Treehouse Panels Option

PARTS NEEDED

Rail Assemblies-

(3)

HARDWARE NEEDED

Original Rail Hardware-

(3-Sets)

